



### Solenoid Valve

3Port Valve/PHS320	P.438
5Port Valve/PHS500	P.442
5Port Valve/PHS510	P.449
5Port Valve/PHS520	P.456
5Port Valve/PHS530	P.463
5Port Valve/PHS540	P.470

### NAMUR Valve

5Port Valve/34○Y	P.481
------------------	-------

### Air Operated Valve

5Port Valve/PHS520	P.488
5Port Valve/PHS530	P.489
5Port Valve/PHS540	P.490



# 3·5Port pilot Operated Solenoid Valve

## PHS Series

### 3Port Solenoid Valve

PHS 320 Series \_\_\_\_\_ P. 438

### 5Port Solenoid Valve

M5 Port/PHS 500 Series \_\_\_\_\_ P. 442

1/8 Port/PHS 510 Series \_\_\_\_\_ P. 449

1/4 Port/PHS 520 Series \_\_\_\_\_ P. 456

3/8 Port/PHS 530 Series \_\_\_\_\_ P. 463

1/2 Port/PHS 541 Series \_\_\_\_\_ P. 470

1/2 Port/PHS 540 Series \_\_\_\_\_ P. 475

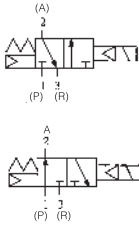


# 3Port Pilot Operated Solenoid Valve

# PHS320 Series

Rubber Seal / In-Line type

**PHS320S** 3/2 Way  
N-C/N-O Common



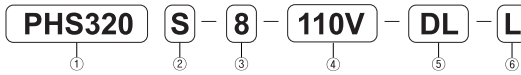
## Specification

Item	Unit	PHS320S
Fluid		Non-Lubricated/Lubricated Air
Port Size	Rc(PT)	1/4
Effective Area	mm <sup>2</sup> (Cv)	23 (1.3)
Operating Temperature	℃	5 ~ 60
Pressure Range	MPa(bar)	0.15~0.9 (1.5~9.0)
Max. Operating Cycle	cycle/s	10
Response Time	ms	Less than 20
Exhaust type		individual Exhaust
Manual Override		Non-Lock/Lever-Lock
Shock/Vibration Resistance		30G~5G (8.3~200Hz)

## Electrical Specification

Voltage	V	DC24V, AC110V, AC220V(50~60Hz)
Allowable Voltage Fluctuation	%	± 10%
Power Consumption	W, VA	DC24V(2.5W), AC110/220V 50Hz(6VA)/60Hz(4.9VA)
Insulation Class		F Class
Wiring		lead Wire, DIN Connector
Indicate lamp		LED

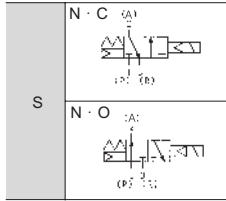
## Order Key



### 1. Series

3Port Solenoid Valve  
N · C/N · O common use

### 2. Function



Note) Possible to use N.O type by rotating body cover.  
Offer N.C type initially.

### 3. Port Size

8	PT 1/4"
---	---------

Note) Basically PHS320 series are assembled N-C

### 4. Voltage

24V	DC24V
110V	AC110V
220V	AC220V

### 5. Wiring

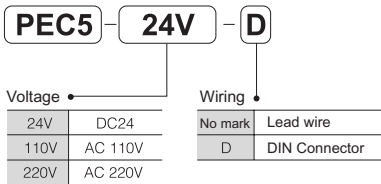
No mark	Lead wire
D	DIN connector.
DL	DIN connector, Indicator lamp.
DS	DIN connector, Indicator lamp, Surge protection.

### 6. Manual

No mark	Non-Lock
L	Lever Lock

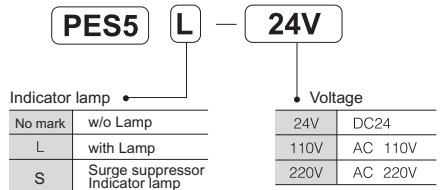
## Coil and Connector

### Coil



Note) Please order the connector together  
When you order DIN connector type coil.

### Connector



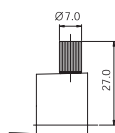
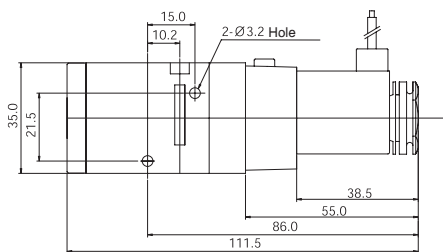
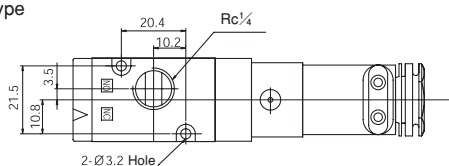
# PHS320 Series

## Dimension

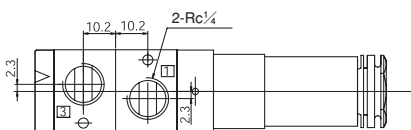
(Unit: mm)

### PHS320

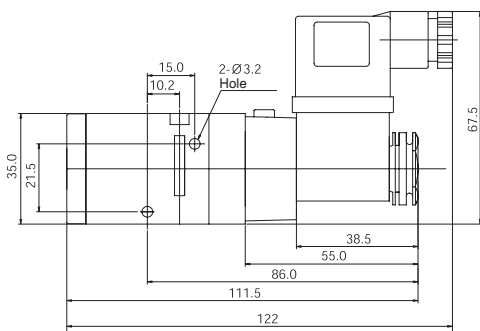
#### Lead Wire Type



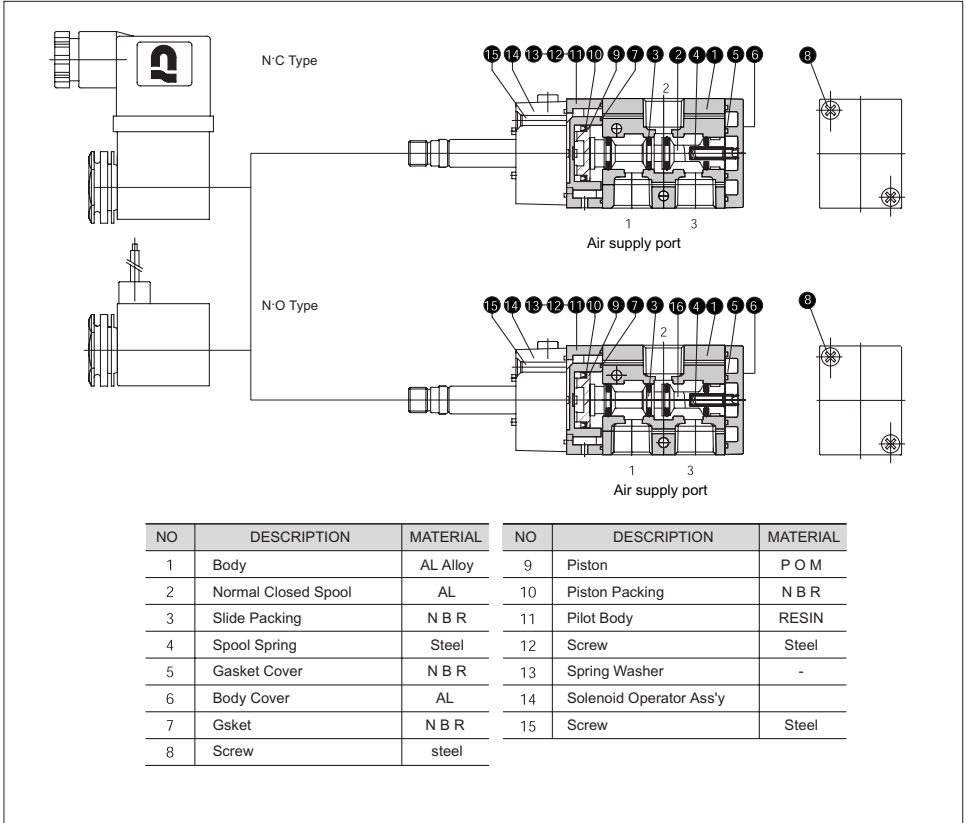
#### Lever-Lock Type



#### DIN Connector Type



## Construction

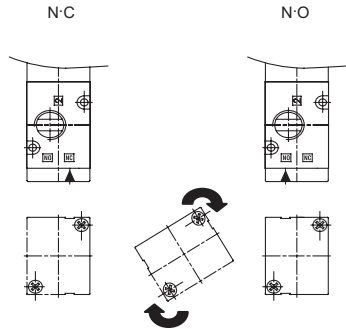


### Port Change from N-O to N-C

End Vover must be rotated 180°  
And Air supply port must be changed as below table.

### Port Identification

Function	N-C type	N-O type
Port No. 1	Air Supply	Exhaust
Port No. 2	Cylinder	Cylinder
Port No. 3	Exhaust	Air Supply



## 5Port Pilot Operated Solenoid Valve

# PHS500 Series

Rubber Seal / In-Line type

**PHS500S** 2 Position  
Single Solenoid

**PHS500D** 2 Position  
Double Solenoid

**PHS500C** 3 Position  
Center closed

**PHS500E** 3 Position  
Exhaust center

**PHS500P** 3 Position  
Pressure center

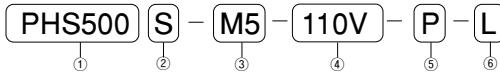


## Specification

Item	Unit	PHS500S	PSH500D	PHS500C	PHS500E	PHS500P
Fluid		Non-Lubricated/Lubricated Air				
Port Size	M	M5				
Effective Area	mm <sup>2</sup>	3.6		3.0		
Operating Temperature	°C	5 ~ 60				
Pressure Range	MPa(bar)	0.15 ~ 1.0 ( 1.5 ~ 10.0 )		0.2 ~ 1.0 ( 2.0 ~ 10.0 )		
Max. Operating Cycle	cycle/s	5		3		
Response Time	ms	25 less		35 less		
Exhaust type		Individual Exhaust				
Manual Override		Non-Lock(standard)/Lever-Lock(option)				
Shock/Vibration Resistance	m/s <sup>2</sup>	30G~5G (8.3~200Hz)				
Voltage	V	DC24V, AC110V, AC220V(50 ~60Hz)				
Allowable Voltage Fluctuation	%	AC : ±20% / DC : ±10%				
Power Consumption	W, VA	DC : 2.5W, AC : 3.5VA (60Hz)				
Insulation Class		F Class				
Wiring		Lead Wire, DIN Connector				
Indicate Lamp		LED				




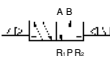
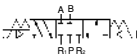
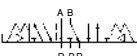

## ORDER KEY



### 1. Series

5 Port Solenoid Valve

### 2. Function

S	Single Solenoid 
D	Double Solenoid 
C	Center Closed 
E	Exhaust Center 
P	Pressure Center 

### 3. Port Size

M5	M5 × 0.8
----	----------

### 4. Voltage

24V	DC24V
110V	AC110V
220V	AC220V

### 5. Wiring

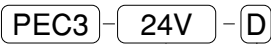
No mark	Lead Wire
P	Horizontal Connector
V	Perpendicular Connector

### 6. Manual Override

No mark	Non-Lock
L	Lever-Lock

## Coil & Connector

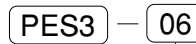
Coil



24V	DC24
110V	AC 110V
220V	AC 220V

No mark	Lead wire
D	DIN

Connector (3pin connector plug)

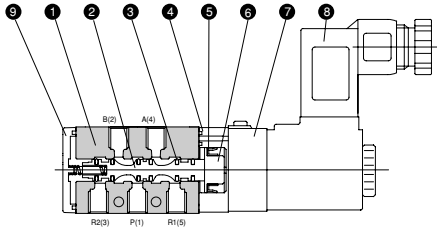


06	600 mm(standard)
10	1,000 mm

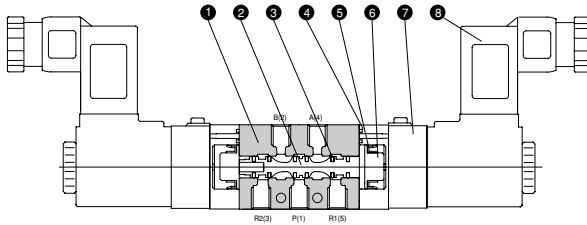
# PHS 500 Series

## Construction

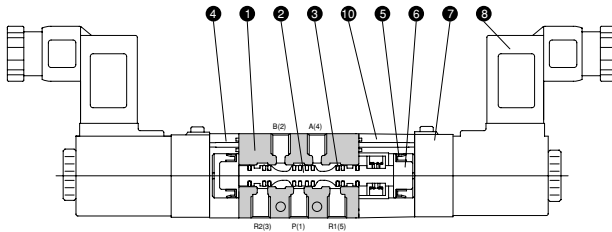
### Single Solenoid Valve



### Double Solenoid Valve



### 3 Position Solenoid Valve

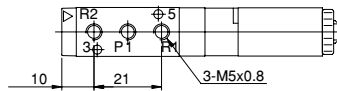
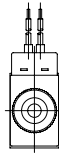
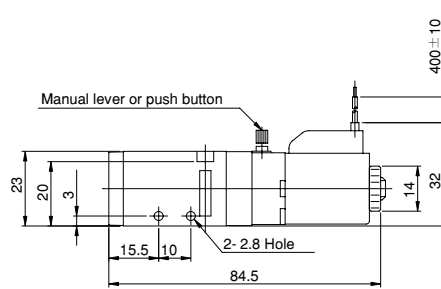
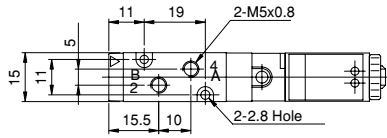


NO.	Description	Material
1	Body	Aluminum Diecasting
2	Spool	Aluminum Diecasting
3	Spool Packing	NBR
4	Cap	Zinc
5	Piston	Resin
6	Semi Pilot	Zinc
7	Pilot	Resin
8	Coil Ass'y	Resin
9	End Cover	Zinc
10	Block Pilot	Zinc

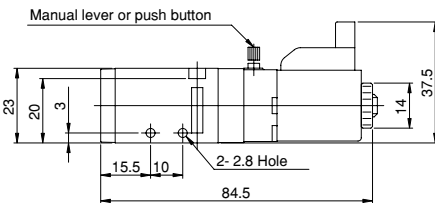
## Dimension

(Unit: mm)

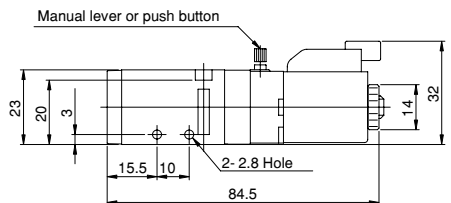
PHS500S



Perpendicular Connector



horizontal Connector

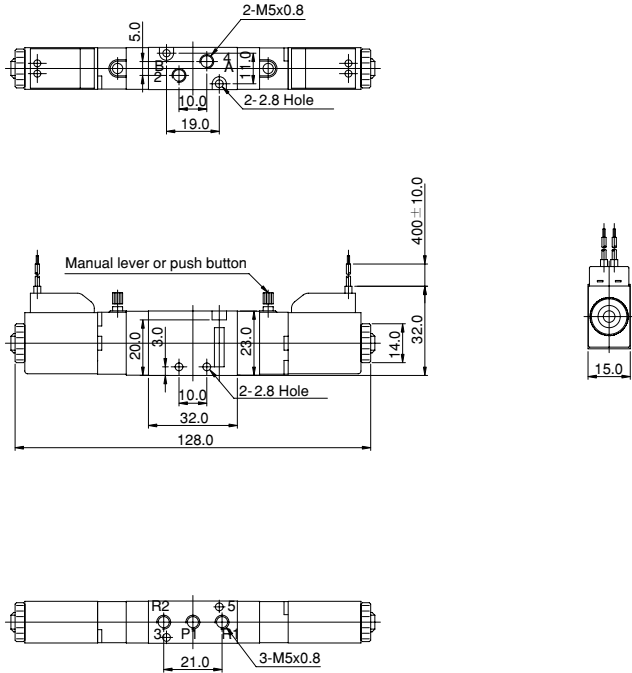


# PHS500 Series

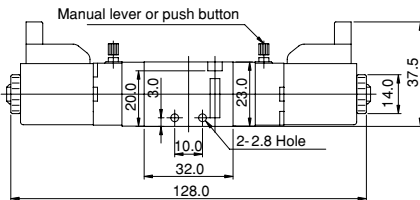
## Dimension

(Unit: mm)

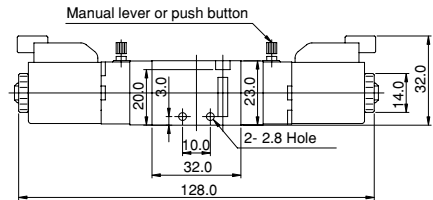
PHS500D



### Perpendicular Connector



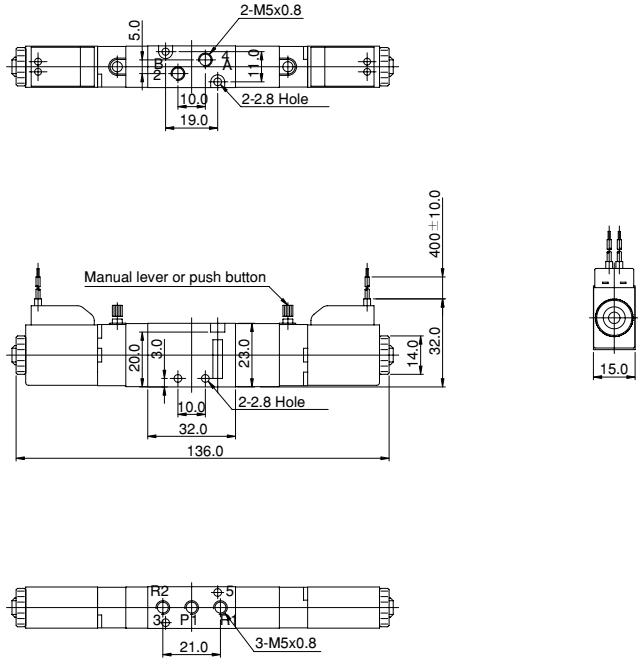
### Horizontal Connector



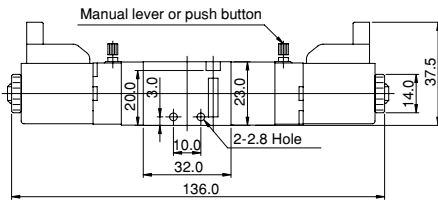
## Dimension

(단위 : mm)

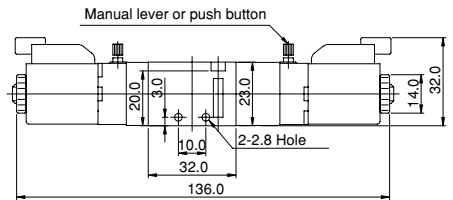
PHS500C, PHS500E, PHS500P



### Perpendicular Connector



### Horizontal Connector



# Manifold

## ORDER KEY

PHS500 — M5

Mountable Valve  
PHS510 Series

Number of Station

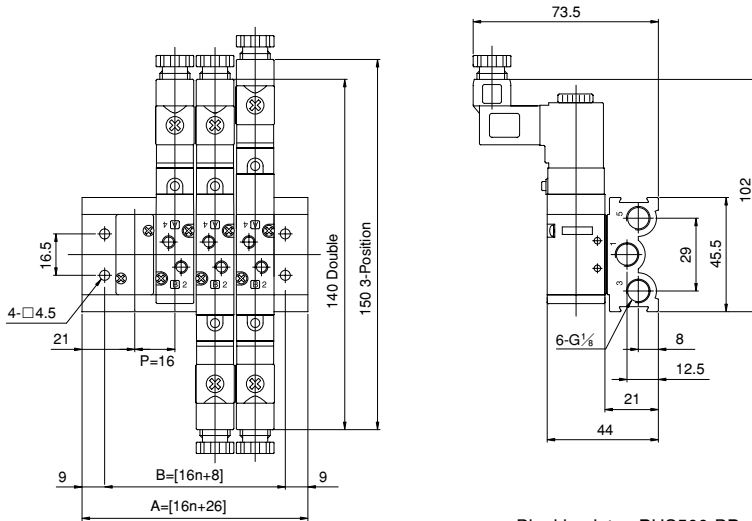
M2	2 station
:	:
M9	9 station

## Specification

Type		PHS500-M□
		Common Sup, Common EXH Port 2, 4 on the body
Port Size	Port 1	Rc 1/8
	Port 3, 5	Rc 1/8
	Port 2, 4	Rc 1/8
Station		2 ~ 9 Station
Mounting		Direct mount
Monutable Valve		PHS 500
Blanking Plate		PHS500-BP

## Dimensions

(Unit: mm)



Blankig plate : PHS500-BP

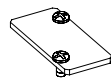
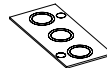


Plate material : SCP1



Gasket material : NBR

# 5 Port Pilot Operated Solenoid Valve

## PHS510 Series

### Rubber Seal/In-Line Type

**PHS510S** 2 Position  
Single solenoid

**PHS510D** 2 Position  
Double Solenoid

**PHS510C** 3 Position  
Center Closed

**PHS510E** 3 Position  
Exhaust Center

**PHS510P** 3 Position  
Pressure Center



## Specifications

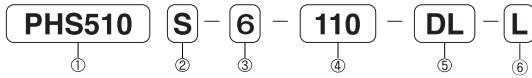
Model No	Unit	PHS510S	PSH510D	PHS510C	PHS510E	PHS510P
Fluid		Non-lubricated / Lubricated Air				
Port Size		PT 1/8"				
Effective Area	mm <sup>2</sup> (Cv)	12.6(0.6)			9.0(0.4)	
Temperature Range	°C	5~60°C				
Pressure Range	MPa(bar)	0.15~0.9(1.5~9.0)	0.1~0.9(1.0~9.0)	0.2~0.9(2.0~9.0)		
Max. Operating Cycle	cycle/s	10			3	
Response Time	ms	20 or less			o	35 r less
Exhaust Type		Individual Exhaust				
Manual Override		Non-lock(Standard), Lever-lock(Option)				
Shock Vibration Resistance	m/s <sup>2</sup>	30G~5G(8.3~200Hz)				

## Electrical Specifications

Voltage	V	DC24V, AC110V, AC220V(50~60Hz)
Allowable Voltage Fluctuation	%	±10%
Power Consumption	W, VA	DC24V(2.5W), AC110V(4VA), AC220V(4VA)
Insulation class		F
Wiring		Lead Wire, DIN Connector
Indicator Light		LED

# PHS510 Series

## ORDER KEY



### 1. Series

5 Port Solenoid Valve

### 2. Function

S	Single Solenoid 
D	Center Closed 
C	Center Closed 
E	Exhaust Center 
P	Pressure Center 

### 3. Port Size

6	PT 1/8"
---	---------

### 4. Voltage

24V	DC24V
110V	AC110V
220V	AC220V

### 5. Wiring

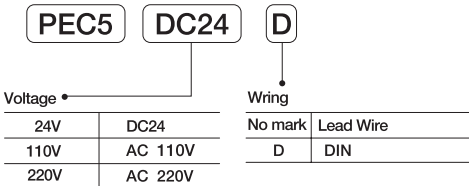
NO mark	Lead Wire
D	DIN Connector
DL	DIN Connector w/Lamp

### 6. Manual Override

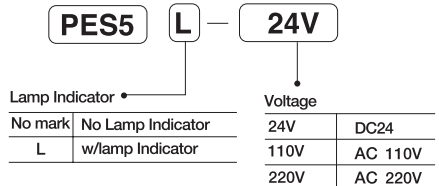
NO mark	Non-Lock
L	Lever-Lock

## Coil & Connector

### Coil



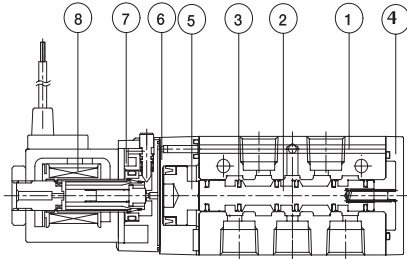
### Connector



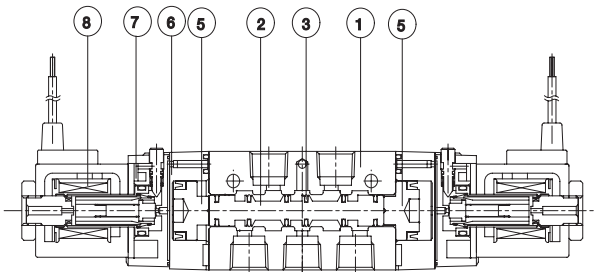


## Construction

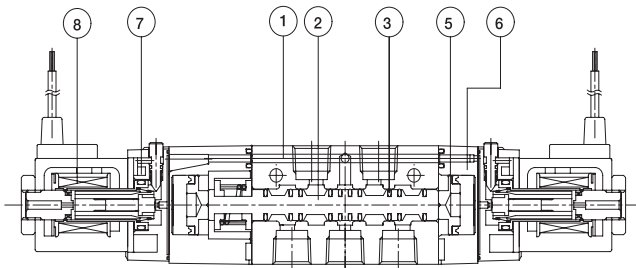
### Single Solenoid



### Double Solenoid



### (3-position)



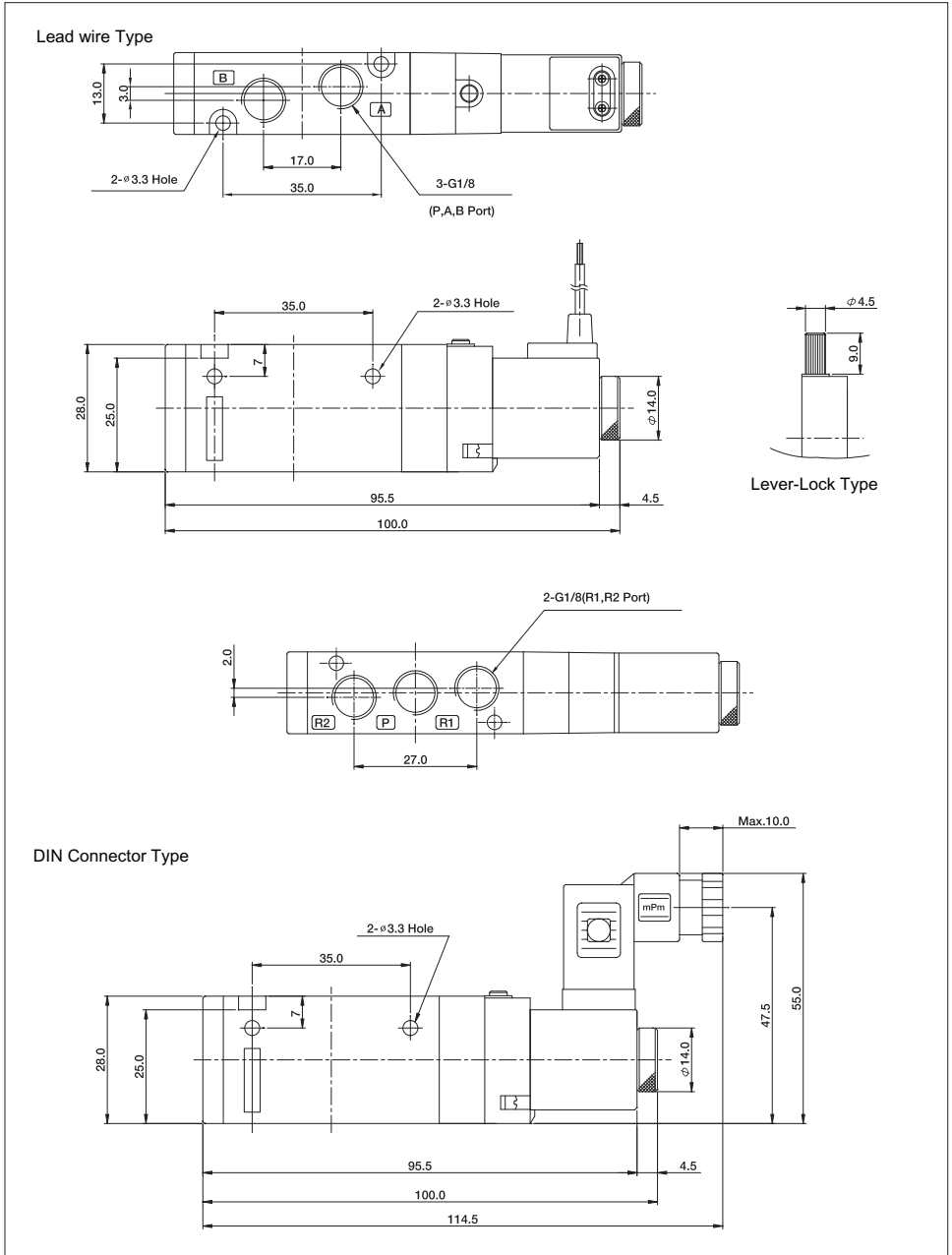
NO	Description	Material
1	Body	Aluminum Diecasting
2	Spool	Aluminum Diecasting
3	Spool Packing	NBR
4	Cap	Zinc
5	Piston	Resin
6	Semi Pilot	Zinc
7	Pilot	Resin
8	Coil Ass'y	Resin

# PHS510 Series

## Dimensions

PHS510S

(Unit : mm)

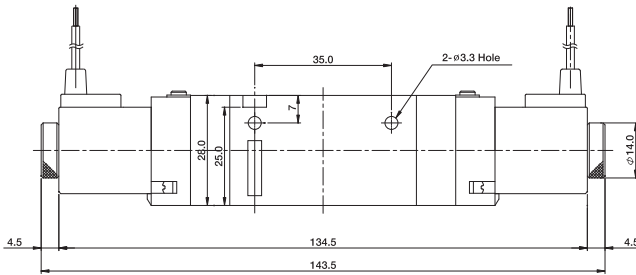
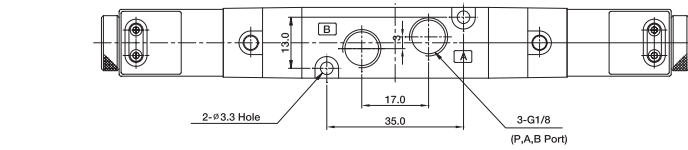


## Dimensions

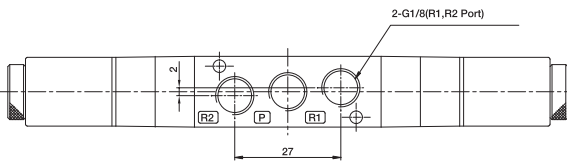
PHS510D

(Unit : mm)

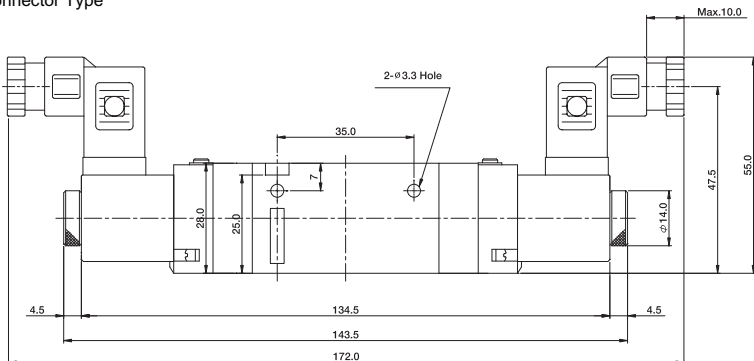
### Lead wire Type



### Lever-Lock Type



### DIN Connector Type



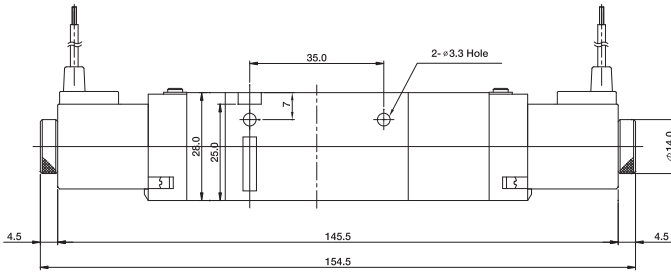
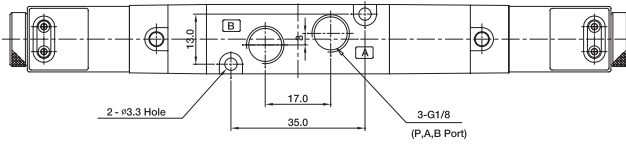
# PHS510 Series

## Dimensions

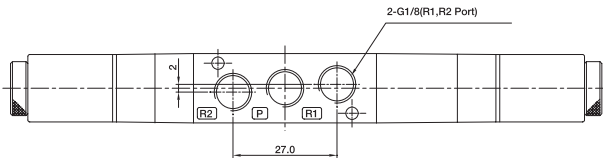
PHS510C, PHS510E, PHS510P

(Unit : mm)

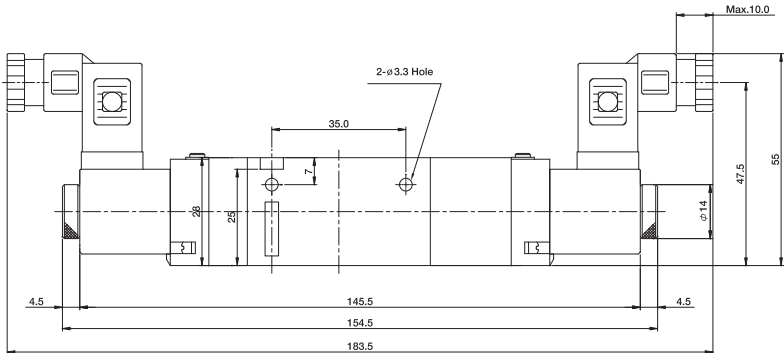
### Lead wire Type



### Lever-Lock Type

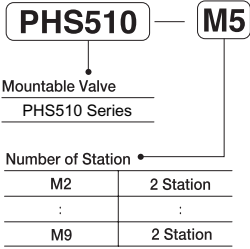


### DIN Connector Type



# PHS510 Series / Manifold

## ORDER KEY

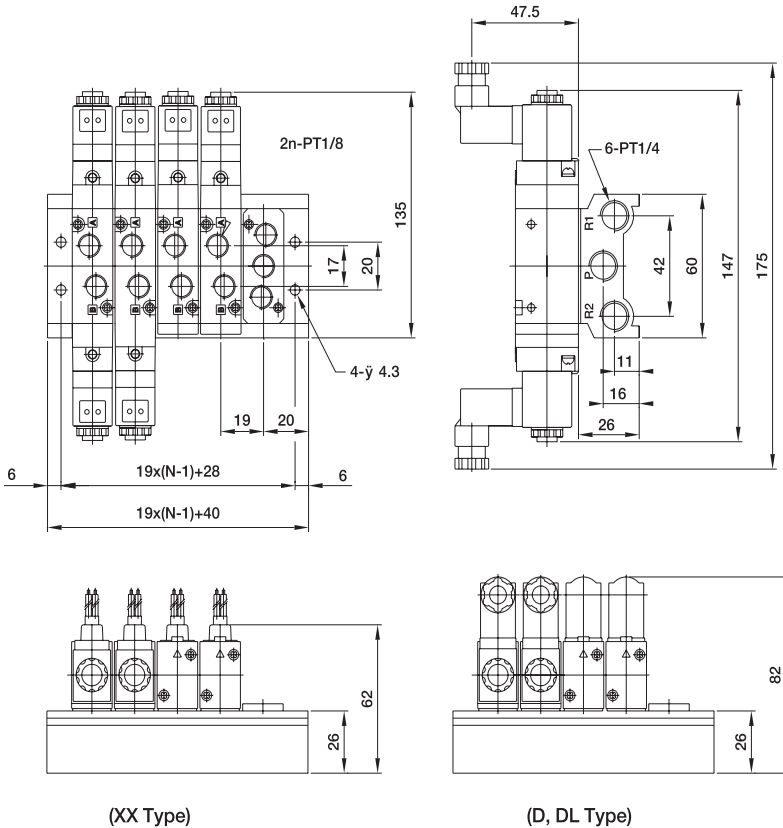


## Specification

Type		PHS510-M□
		Common SUP, Common EXH
		Port 2, 4 on the body
Port Size	Port 1	Rc1/4
	Port 3, 5	Rc1/4
	Port 2, 4	Rc1/4
Station	2-9 Station	
Mounting	Direct mount	
Mountable Valve	PHS510 Series	
Blanking Plate	PHS510-BP	

## Dimensions

(Unit : mm)



# 5 Port Pilot Operated Solenoid Valve

## PHS520 Series

### Rubber Seal/In-Line Type



<b>PHS520S</b>	2 Position Single solenoid
<b>PHS520D</b>	2 Position Double Solenoid
<b>PHS520C</b>	3 Position Center Closed
<b>PHS520E</b>	3 Position Exhaust Center
<b>PHS520P</b>	3 Position Pressure Center

## Specifications

Model No	Unit	PHS520S	PHS520D	PHS520C	PHS520E	PHS520P
Fluid		Non-lubricated / Lubricated Air				
Port Size		PT 1/4"				
Effective Area	mm <sup>2</sup> (Cv)	18(1.0)			14(0.8)	
Temperature Range	°C	5~60 °C				
Pressure Range	MPa(bar)	0.15~0.9(1.5~9.0)	0.1~0.9(1.0~9.0)	0.2~0.9(2.0~9.0)		
Max. Operating Cycle	cycle/s	10			3	
Response Time	ms	20 or less			35 or less	
Exhaust Type		Individual Exhaust				
Manual Override		Non-lock(Standard), Lever-lock(Optional)				
Shock/Vibration Resistance	m/s <sup>2</sup>	30G~5G(8.3~200Hz)				

## Electrical Specifications

Voltage	V	DC24V, AC110V, AC220V(50~60Hz)
Allowable Voltage Fluctuation	%	±10%
Power Consumption	W, VA	DC24V(2.6W), AC110V(4VA), AC220V(3.5VA)
Insulation class		F
Wiring		Lead Wire, DIN Connector
Indicator Light		LED

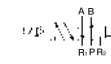
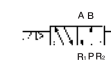
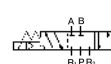
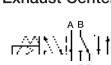
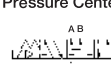
## ORDER KEY

PHS520
S
8
110
DL
L

①
②
③
④
⑤
⑥

**1. Series**  
5 Port Solenoid Valve

**2. Function**

S	Single Solenoid 
D	Double solenoid 
C	Center Closed 
E	Exhaust Center 
P	Pressure Center 

**3. Port Size**

8	PT 1/4"
---	---------

**4. Voltage**

24V	DC24V
110V	AC110V
220V	AC220V

**5. Wiring**

No mark	Lead Wire
D	DIN Connector
DL	DIN Connector w/Lamp Indicator

**6. Manual Override**

No mark	Non-Lock
L	Lever-Lock

## Coil & Connector

## Connector

### Coil

PEC5
DC24
D

Voltage ●

DC24
AC 110V
AC 220V

Wiring

No mark	Lead Wire
D	DIN

- **Explosion Proof Coil**  
Explosion Proof Coil can be applied to the PHS Series.  
Please refer To 483 pages for detail information

### Connector

PEC5
L
DC24

Lamp Indicator ●

No mark	No Lamp Indicator
L	w/ Lamp Indicator

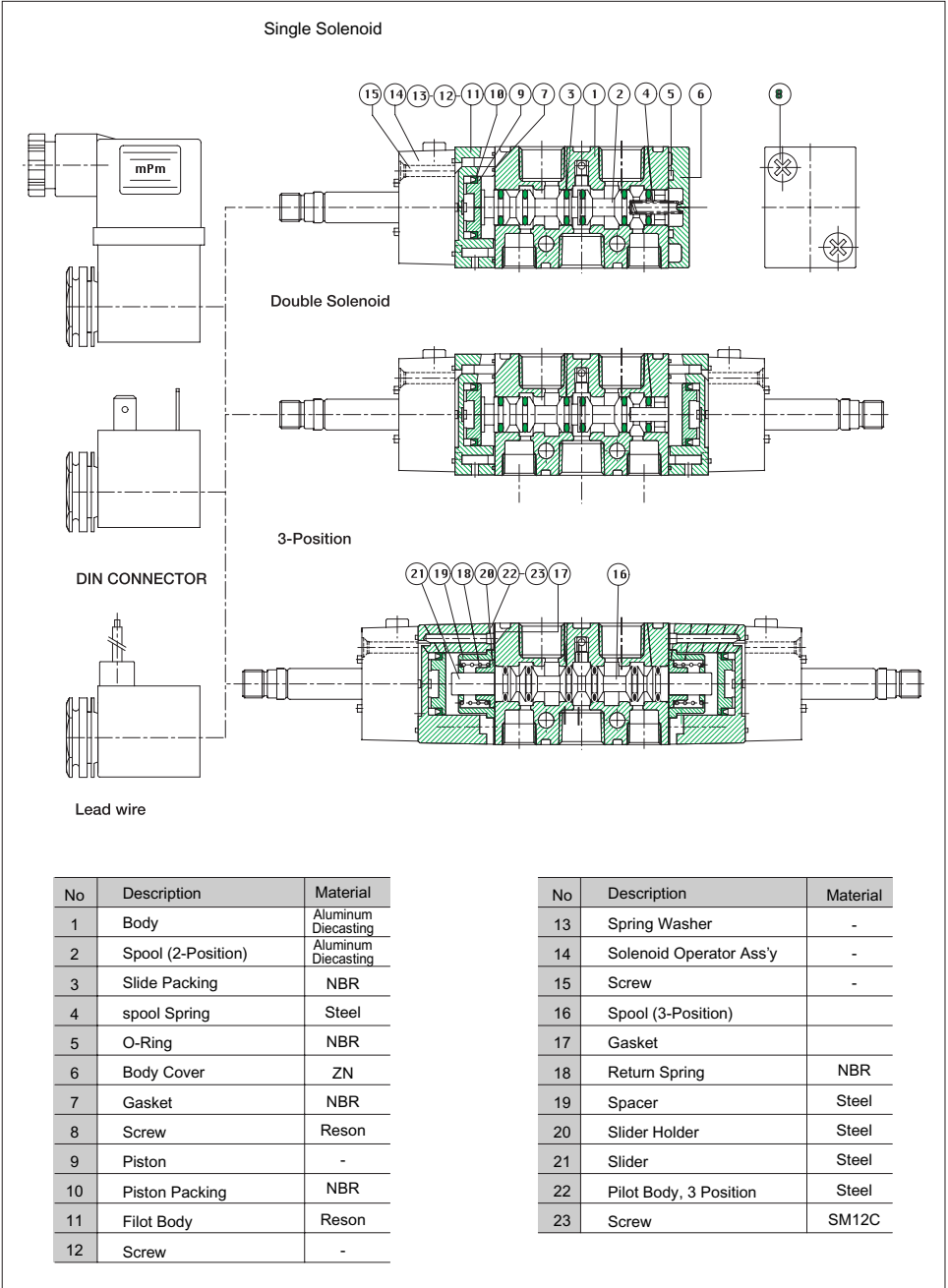
Voltage ●

No mark	No Lamp Indicator
24V	DC24
110V	AC 110V
220V	AC 220V

- **Blanking Plate**  
Model : PHS520-BP

# PHS520 Series

## Construction



No	Description	Material
1	Body	Aluminum Diecasting
2	Spool (2-Position)	Aluminum Diecasting
3	Slide Packing	NBR
4	spool Spring	Steel
5	O-Ring	NBR
6	Body Cover	ZN
7	Gasket	NBR
8	Screw	Reson
9	Piston	-
10	Piston Packing	NBR
11	Filot Body	Reson
12	Screw	-

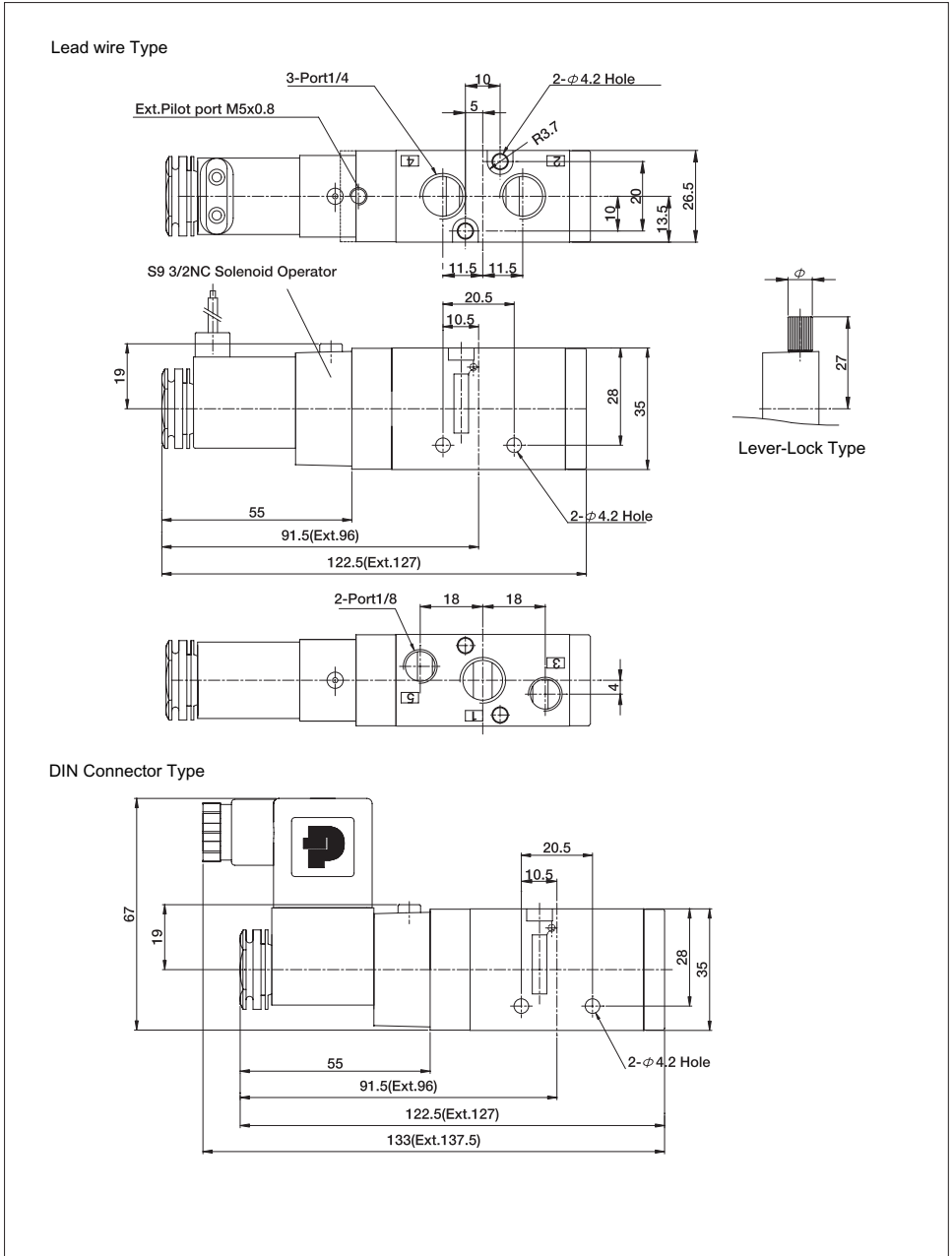
No	Description	Material
13	Spring Washer	-
14	Solenoid Operator Ass'y	-
15	Screw	-
16	Spool (3-Position)	
17	Gasket	
18	Return Spring	NBR
19	Spacer	Steel
20	Slider Holder	Steel
21	Slider	Steel
22	Pilot Body, 3 Position	Steel
23	Screw	SM12C



## Dimensions

PHS520S

(Unit : mm)



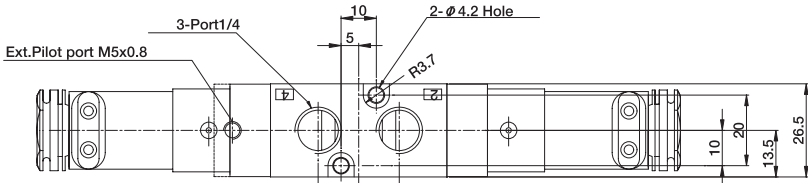
# PHS520 Series

## Dimensions

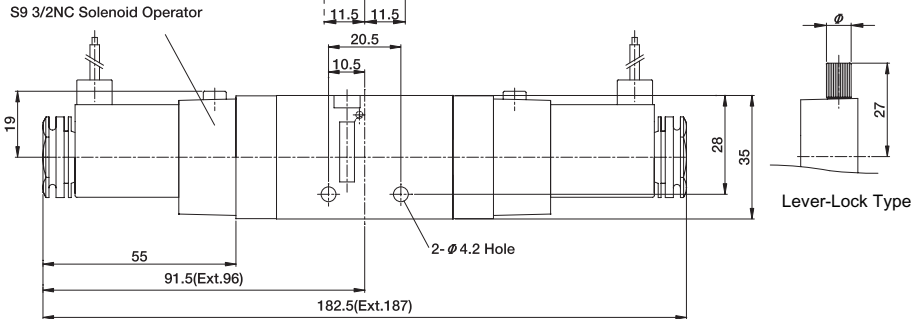
PHS520D

(Unit : mm)

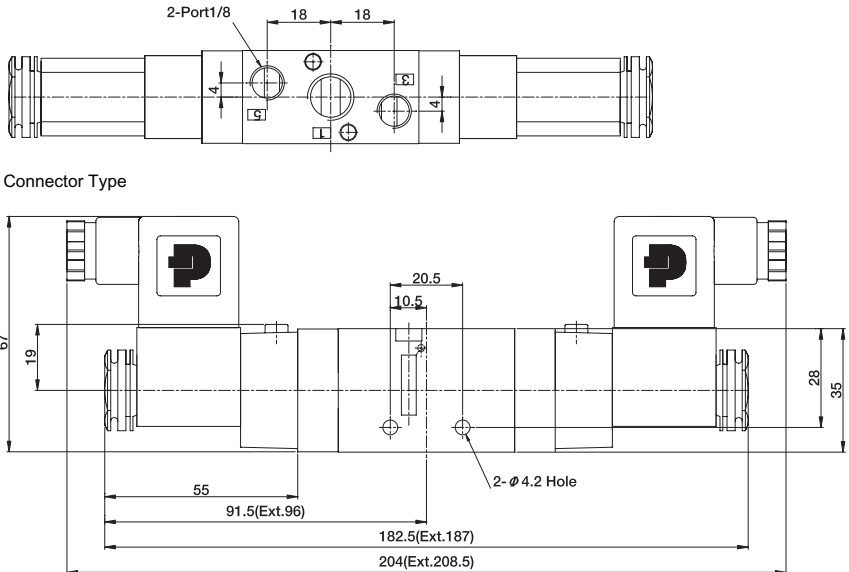
### Lead wire Type



### S9 3/2NC Solenoid Operator



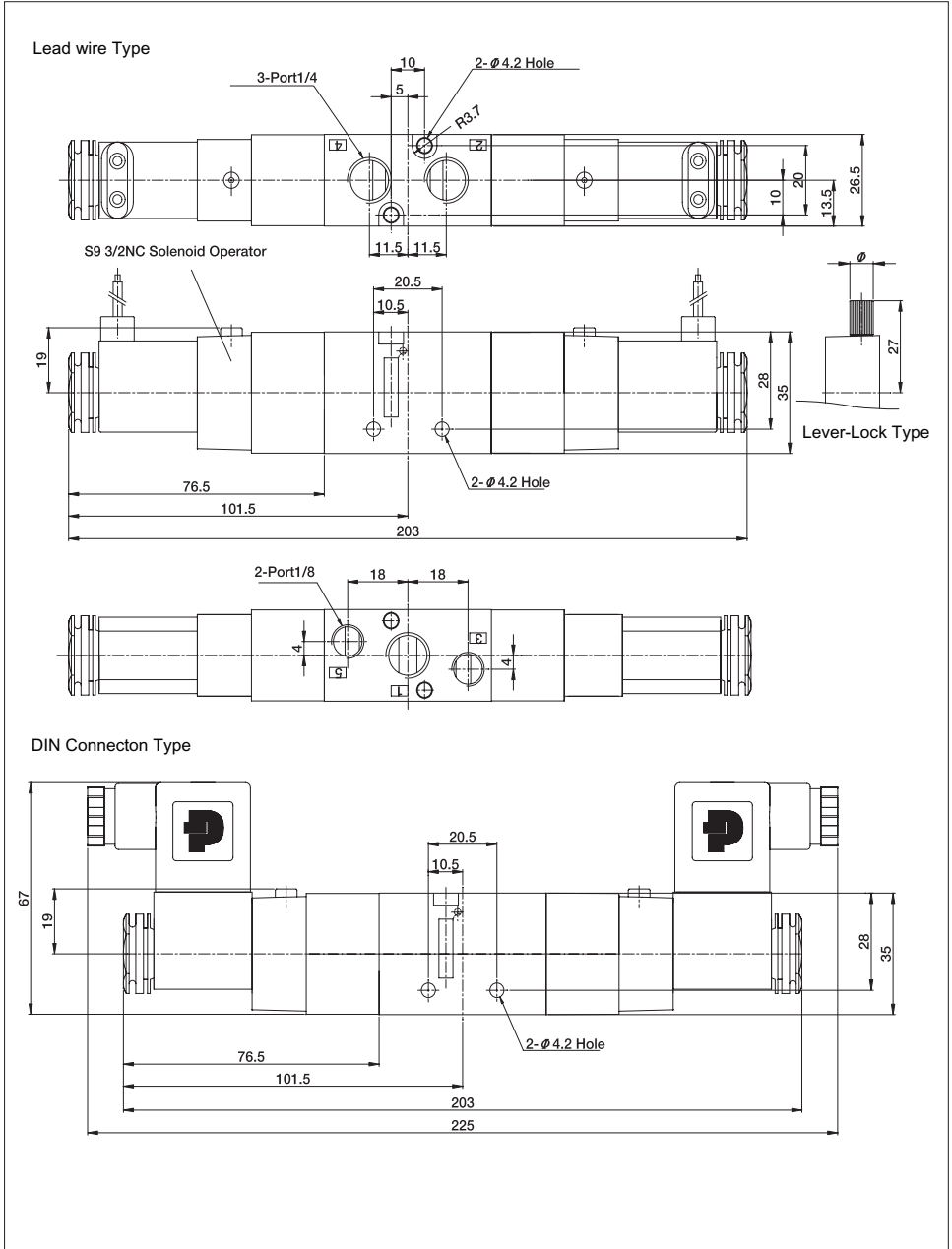
### DIN Connector Type



## Dimensions

PHS520C, PHS520E, PHS520P

(Unit : mm)



# PHS520 Series / Manifold

## ORDER KEY

**PHS520** — **M5**

Mountable Valve  
PHS510 Series

Number of Station

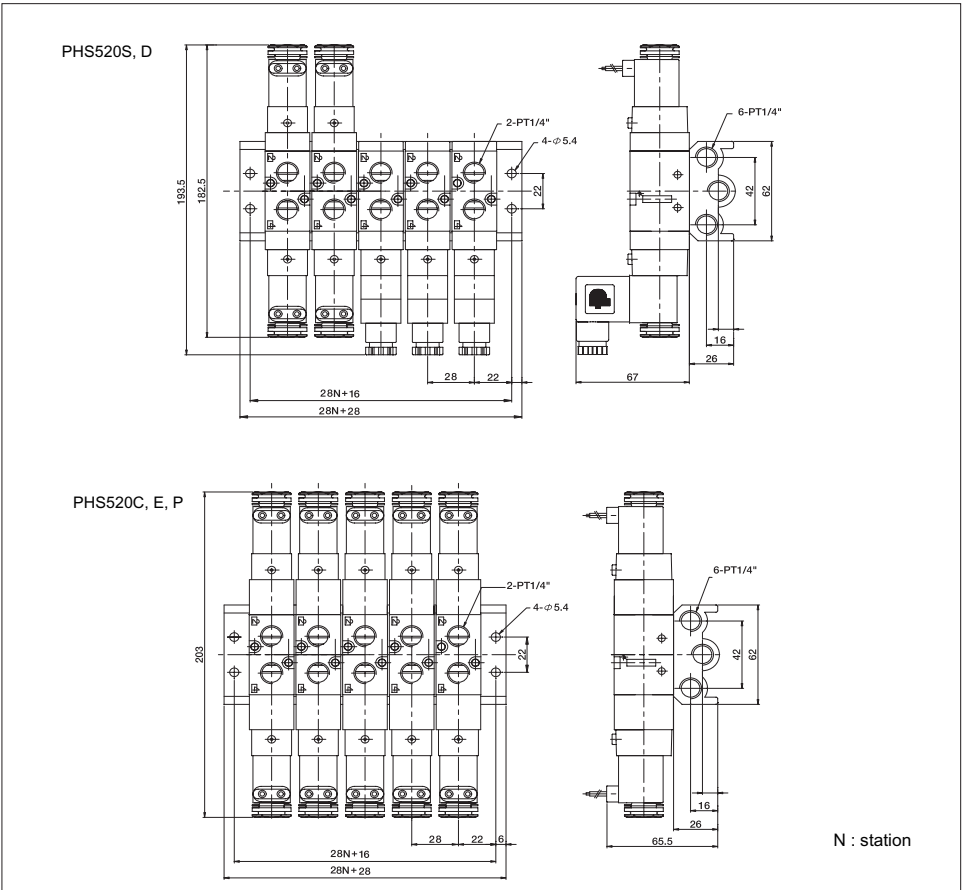
M2	2 Station
:	:
M9	9 Station

### Specification

Type	PHS520-M□	
	Common SUP, Common E	
	Port 2, 4 on the body	
Port Size	Port 1	RC 1/4
	Port 3, 5	RC 1/4
	Port 2, 4	RC 1/4
Station	2~9 Station	
Mounting	Direct mount	
Mountable Valve	PHS520 Series	
Blanking Plate	PHS520-BP-	

## Dimensions

(Unit : mm)



# 5 Port Pilot Operated Solenoid Valve

## PHS530 Series

### Rubber Seal / In-Line Type

**PHS530S** 2 Position  
Single solenoid

**PHS530D** 2 Position  
Double Solenoid

**PHS530C** 3 Position  
Center Closed

**PHS530E** 3 Position  
Exhaust Center

**PHS530P** 3 Position  
Pressure Center



## Specifications

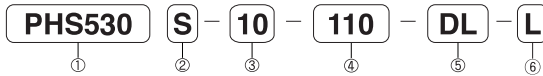
Model No	Unit	PHS520S	PHS520D	PHS520C	PHS520E	PHS520P
Fluid		Non-lubricated / Lubricated Air				
Port Size		PT 3/8"				
Effective Area	mm <sup>2</sup> (Cv)	30(1.6)				
Temperature Range	°C	5~60°C				
Pressure Range	MPa(bar)	0.15~0.9(1.5~9.0)	0.1~0.9(1.0~9.0)	0.2~0.9(2.0~9.0)		
Max. Operating Cycle	cycle/s	8			3	
Response Time	ms	25 or less			35 or less	
Exhaust Type		Individual Exhaust				
Manual Override		Non-lock(Standard), Lever-lock(Optional)				
Shock/Vibration Resistance	m/s <sup>2</sup>					

## Electrical Specifications

Voltage	V	DC24V, AC110V, AC220V(50~60Hz)
Allowable Voltage Fluctuation	%	±10%
Power Consumption	W, VA	DC24V(2.6V), AC110V(4VA), AC220V(3.5VA)
Insulation class		F
Wiring		Lead Wire, DIN Connector
Indicator Light		LED

# PHS530 Series

## ORDER KEY



1. Series  
5 Port Solenoid Valve

2. Function

S	Single Solenoid 
D	Double solenoid 
C	Center Closed 
E	Exhaust Center 
P	Pressure Center 

3. Port Size

8	PT 1/4"
---	---------

4. Voltage

24V	DC24V
110V	AC110V
220V	AC220V

5. Wiring

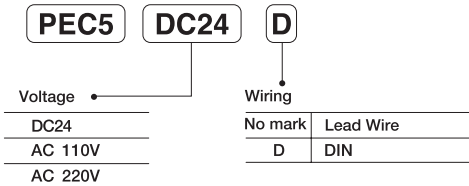
No mark	Lead Wire
D	DIN Connector
DL	DIN Connector w/Lamp Indicator

6. Manual Override

No mark	Non-Lock
L	Lever-Lock

## Coil & Connector

Coil



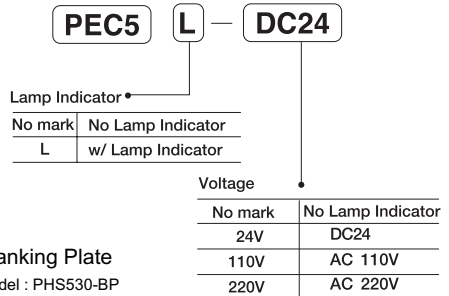
Voltage

DC24
AC 110V
AC 220V

Wiring

No mark	Lead Wire
D	DIN

Connector



Lamp Indicator

No mark	No Lamp Indicator
L	w/ Lamp Indicator

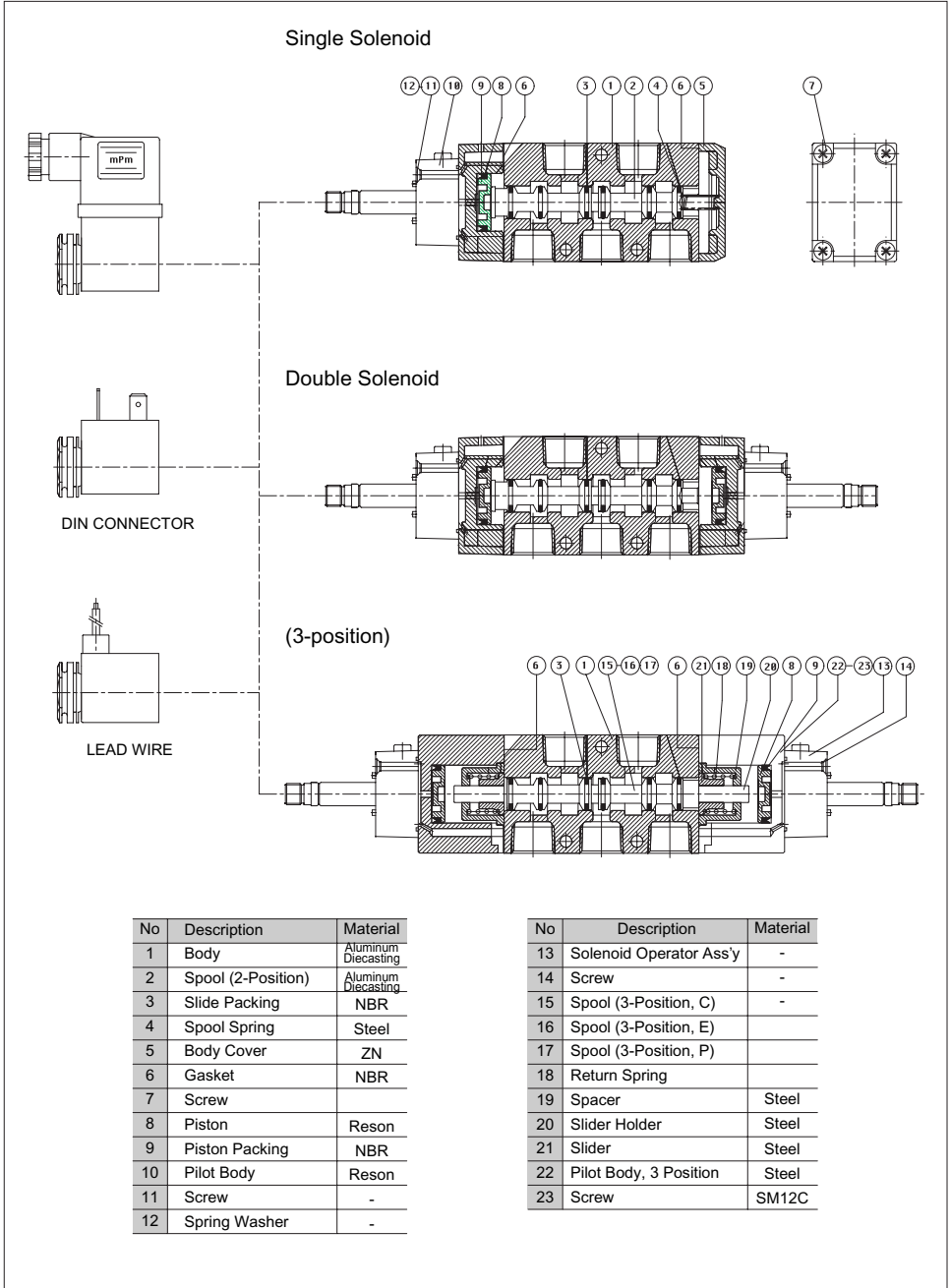
Voltage

No mark	No Lamp Indicator
24V	DC24
110V	AC 110V
220V	AC 220V

- **Explosion Proof Coil**  
Explosion Proof Coil can be applied to the PHS Series.  
Please refer To483 pages for detail information

- **Blanking Plate**  
Model : PHS530-BP

## Construction



No	Description	Material
1	Body	Aluminum Diecasting
2	Spool (2-Position)	Aluminum Diecasting
3	Slide Packing	NBR
4	Spool Spring	Steel
5	Body Cover	ZN
6	Gasket	NBR
7	Screw	
8	Piston	Reson
9	Piston Packing	NBR
10	Pilot Body	Reson
11	Screw	-
12	Spring Washer	-

No	Description	Material
13	Solenoid Operator Ass'y	-
14	Screw	-
15	Spool (3-Position, C)	-
16	Spool (3-Position, E)	
17	Spool (3-Position, P)	
18	Return Spring	
19	Spacer	Steel
20	Slider Holder	Steel
21	Slider	Steel
22	Pilot Body, 3 Position	Steel
23	Screw	SM12C

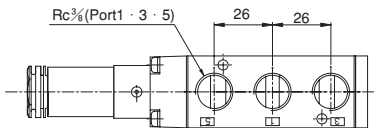
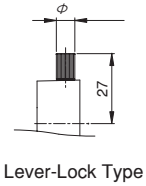
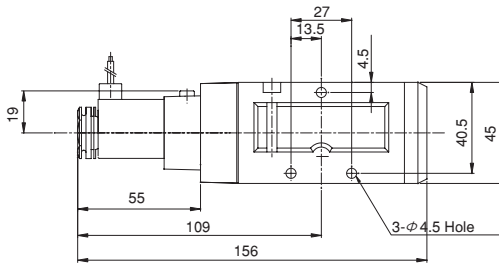
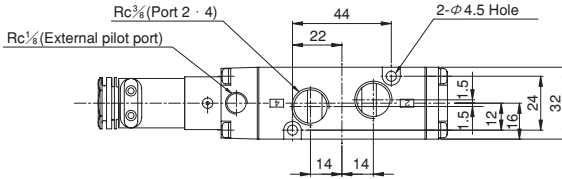
# PHS530 Series

## Dimension

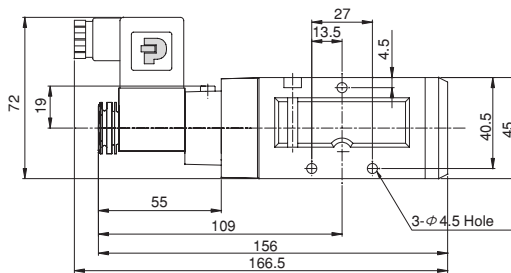
(Unit: mm)

### PHS530S

#### Lead Wire Type



#### DIN-Connector Type



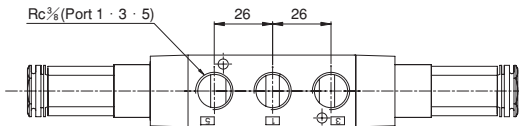
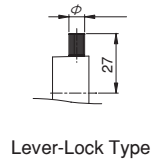
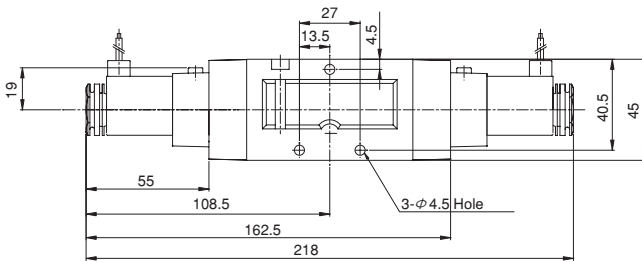
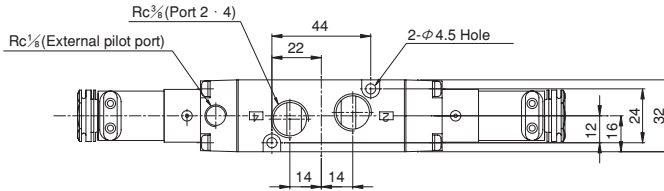


## Dimension

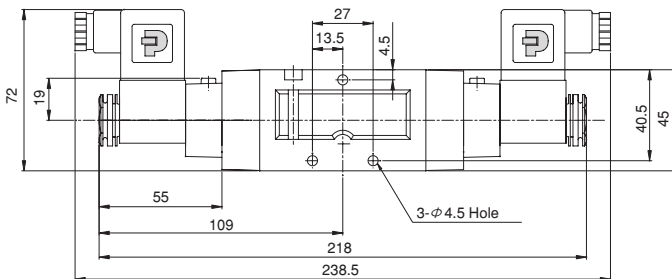
(Unit : mm)

### PHS530D

#### Lead Wire Type



#### DIN-Connector Type



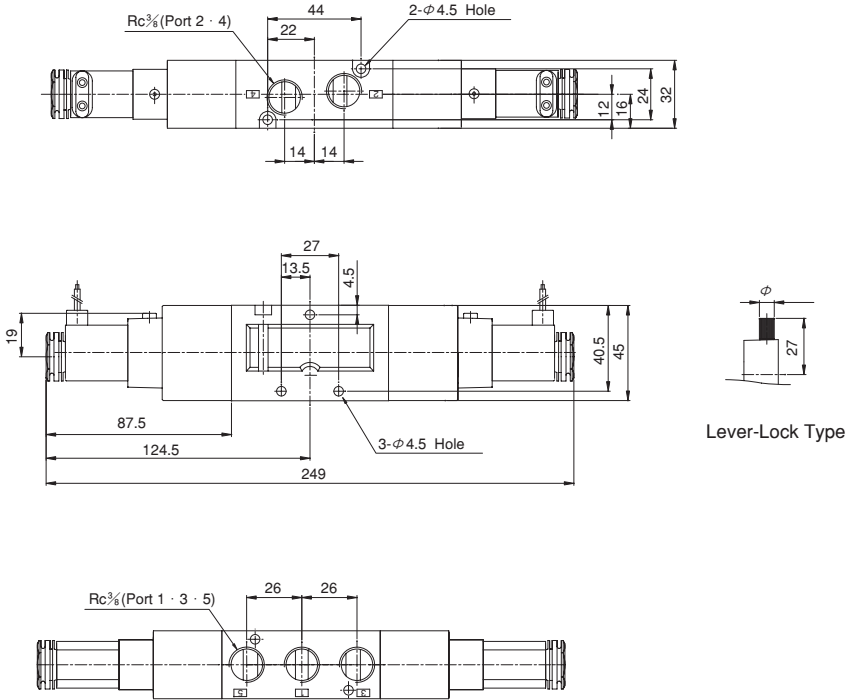
# PHS530 Series

## Dimension

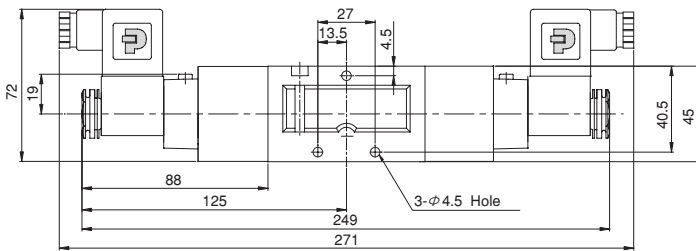
(Unit : mm)

PHS530C, PHS530E, PHS530P

Lead Wire Type



DIN-Connector Type



# PHS530 Series / Manifold

## ORDER KEY

**PHS530** — **M5**

Mountable Valve  
PHS530 Series

Number of Station

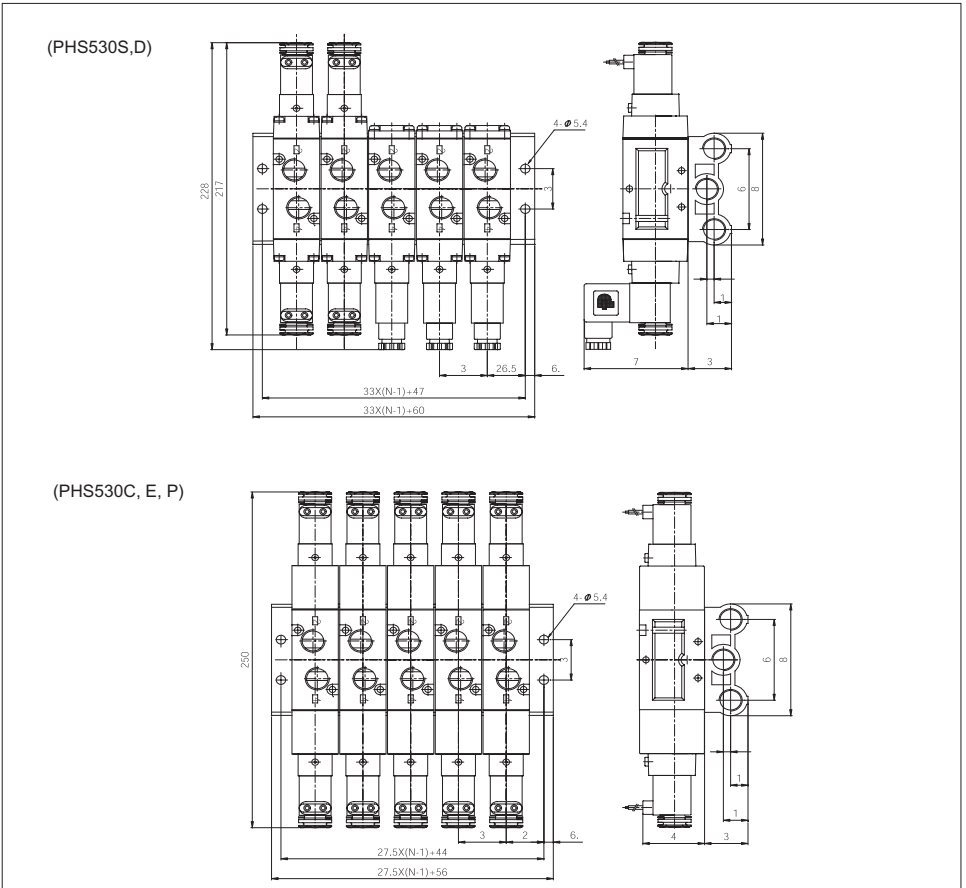
M2	2 Station
:	:
M9	9 Station

### Specification

Type	PHS520-M □	
	Common SUP, Common E	
	Port 2, 4 on the body	
Port Size	Port 1	RC 3/8
	Port 3, 5	RC 3/8
	Port 2, 4	RC 3/8
Station	2~9 Station	
Mounting	Direct mount	
Mountable Valve	PHS530 Series	
Blanking Plate	PHS530-BP	

## Dimensions

(Unit : mm)



# 5 Port Pilot Operated Solenoid Valve

## PHS541 Series

### Rubber Seal / In-Line Type

**PHS541S** 2 position  
Single Solenoid

**PHS541D** 2 position  
Double Solenoid



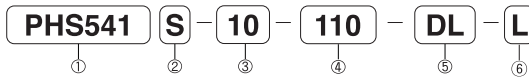
## Specifications

Model No	Unit	PHS541S		PHS541SD	
Fluid		Non-lubricated / Lubricated Air			
Port Size		PT 3/8"	PT 1/2"	PT 3/8"	PT 1/2"
Effective Area	mm <sup>2</sup> (CV)	53(2.9)	56(3.0)	53(2.9)	56(3.0)
Temperature Range	°C	5~60			
Pressure Range	MPA(bar)	0.15~0.9(1.5~9.0)			
Response Time	ms	50 or less			
Exhaust Type		Individual Exhaust			
Manual Override		Non-lock(Standard), Lever-lock(Option)			

## Electrical Specifications

Voltage	Unit	DC24D, AC110V, AC220V(50~60Hz)
Allowable Voltage Fluctuation	%	±10%
Power Consumption	W, VA	DC24D(2.6W), AC110V(4VA), AC220V(3.5A)
Insulation class		F
Wiring		Lead Wire, DIN Connector
Indicator Light		LED

## ORDER KEY



### 1. Series

### 2. Function

S	Single Solenoid
D	Double Solenoid

### 3. Port Size

10	Rc 3/8"
15	RC 1/2"

### 4. Voltage

24V	DC240V
110V	AC110V
220V	AC220V

### 5. Wiring

NO mark	Lead Wire
D	DIN Connector
DL	DIN Connector w/ Lamp Indicator

### 6. Manual Override

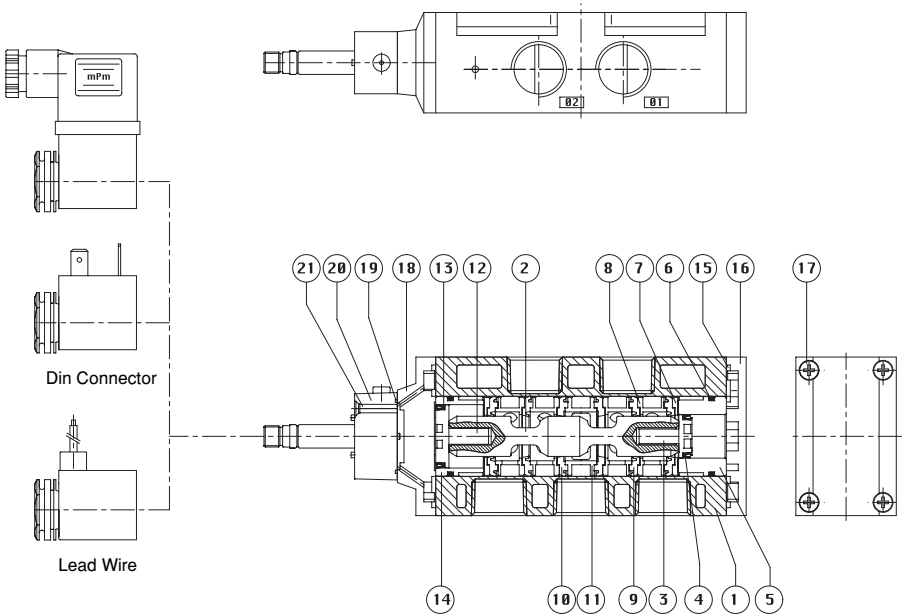
NO mark	Non-Lock
	Lever-Lock

# PHS541 Series

## Construction

(Unit : mm)

### Single Solenoid



No	Description	Material
1	Body	Aluminum Diecasting
2	Spool	Aluminum Diecasting
3	Return Piston	Resin
4	Cap Packing	NBR
5	Return Tube	Aluminum Diecasting
6	O-Ring	NBR
7	Sleeve Liner	Reson
8	Sleeve-B	Aluminum Diecasting
9	Side Sleeve Packing	Rrethane
10	In Sleeve Packing	Rrethane
11	Sleeve-A	Reson

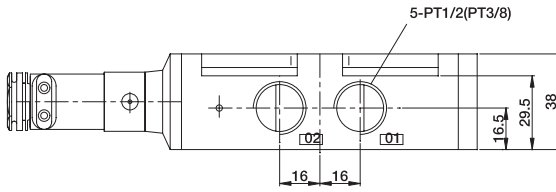
No	Description	Material
13	Motion Piston	Resin
14	Spool Packing	NBR
15	Motion Tuve	Aluminum Diecasting
16	Pilot Gasket	NBR
17	Body Cover	Aluminum Diecasting
18	Screw	
19	Pilot Body	
20	Pilot Gasket	NBR
21	S9 2/3 NC, Solenoid Operator Ass'y	
22	Lcraw	
23	Coil Nut	Nylon

Dinemsins

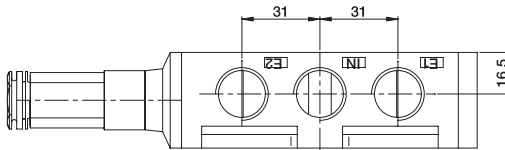
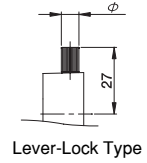
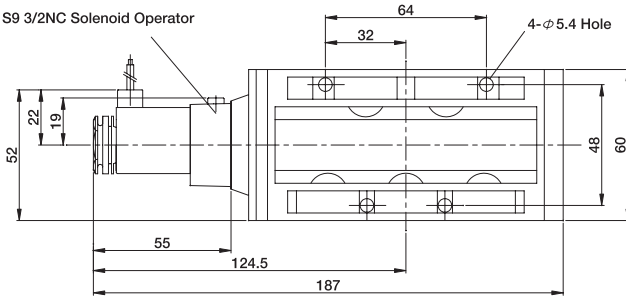
PHS541S

(Unit : mm)

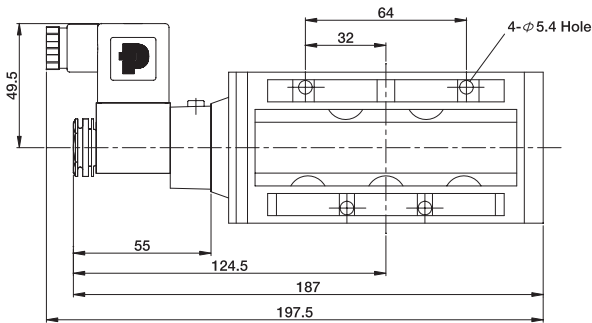
Lead wire Type



S9 3/2NC Solenoid Operator



DIN Connector Type



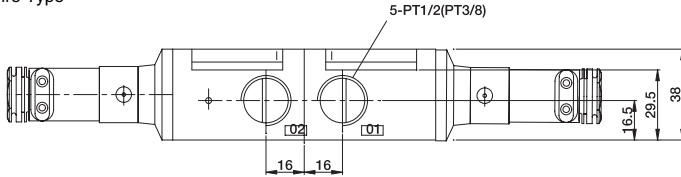
# PHS541 Series

Dinemsins

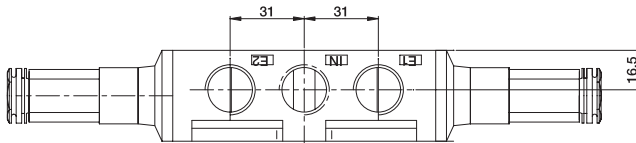
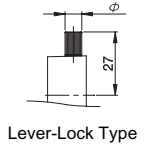
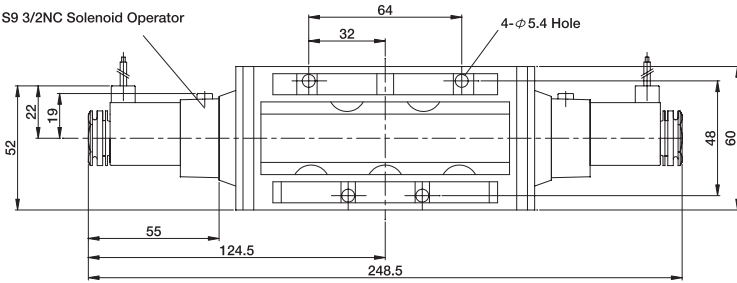
PHS541D

(Unit : mm)

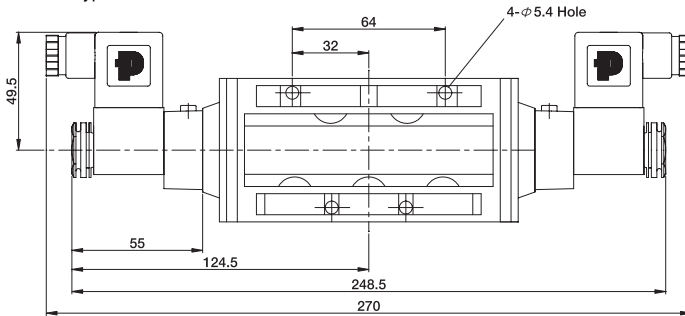
Lead wire Type



S9 3/2NC Solenoid Operator



DIN Connector Type





# 5 Port Pilot Operated Solenoid Valve

# PHS540 Series

Rubber Seal / In-Line Type



**PHS540S**

2 Position  
Single solenoid

**PHS540D**

2 Position  
Double Solenoid

## Specifications

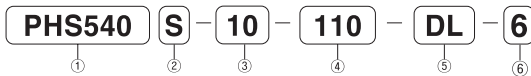
Model No	Unit	PHS540S		PHS540D	
Fluid		Non-lubricated / Lubricated Air			
Port Size		PT 3/8"	PT 1/2"	PT 3/8"	PT 1/2"
Effective Area	mm <sup>2</sup> (CV)	53(2.9)	56(3.0)	53(2.9)	56(3.0)
Temperature Range	°C	5~60			
Pressure Range	MPA(bar)	0.15~0.9(1.5~9.0)			
Response Time	ms	50 or less			
Exhaust Type		Individual Exhaust			
Manual Override		Non-lock(Standard), Lever-lock(Option)			

## Electrical Specifications

Voltage	Unit	DC24D, AC110V, AC220V(50~60Hz)
Allowable Voltage Fluctuation	%	±10%
Power Consumption	W, VA	DC24D(2.6W), AC110V(4VA), AC220V(3.5A)
Insulation class		F
Wiring		Lead Wire, Connector
Indicator Light		LED

# PHS540 Series

## ORDER KEY



### 1. Series

### 2. Function

S	Single Solenoid
D	Double Solenoid

### 3. Port Size

10	Rc 3/8"
15	RC 1/2"

### 4. Voltage

24V	DC240V
110V	AC110V
220V	AC220V

### 5. Wiring

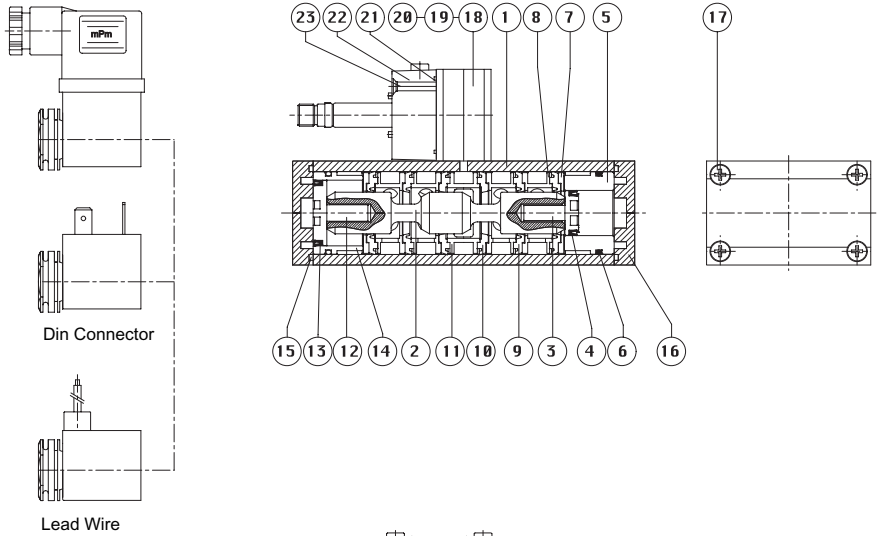
NO mark	Lead Wire
D	DIN Connector
DL	DIN Connector w/ Lamp Indicator

### 6. Manual Override

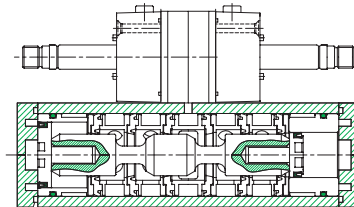
NO mark	Non-Lock
L	Lever-Lock

## Construction

### Single Solenoid



### Double Solenoid



No	Description	Material
1	Body	Aluminum Diecasting
2	Spool	Aluminum Diecasting
3	Return Piston	Plastic
4	Cap Packing	NBR
5	Return Tube	Aluminum Diecasting
6	O-Ring	NBR
7	Sleeve Liner	Plastic
8	Sleeve-B	Aluminum Diecasting
9	Side Sleeve Packing	Urethane
10	In Sleeve Packing	Urethane
11	Sleeve-A	Plastic
12	Motion Piston	Plastic

No	Description	Material
13	Spool Packing	NBR
14	Motion Piston	
15	Spool Packing	NBR
16	Motion Tuve	Aluminum Diecasting
17	Pilot Gasket	
18	Body Cover	
19	Screw	
20	Pilot Body	NBR
21	Pilot Gasket	NBR
22	S9 2/3 NC, Solenoid Operator Ass'y	
23	Lcrew	
24	Coil Nut	NYLON

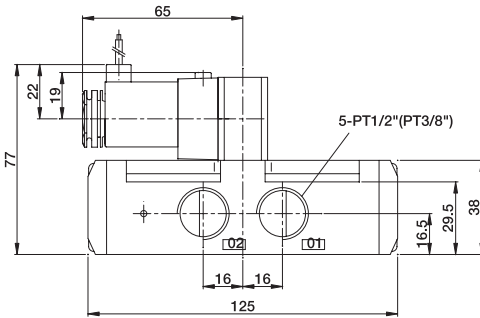
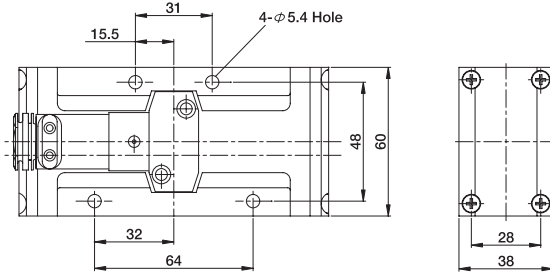
# PHS540 Series

## Dimensions

PHS540S

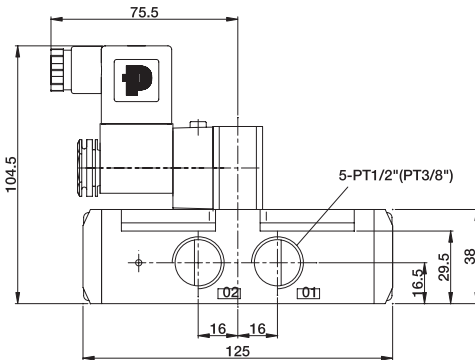
(Unit : mm)

Lead wire Type



Lever-Lock Type

DIN Connector Type

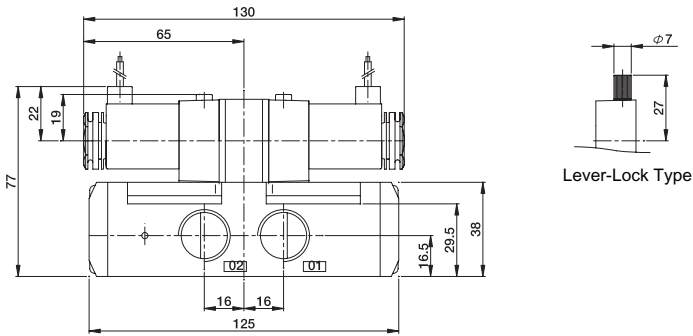
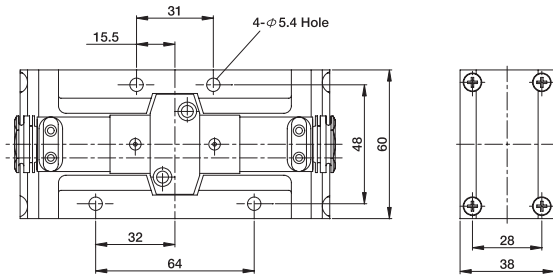


## Dimensions

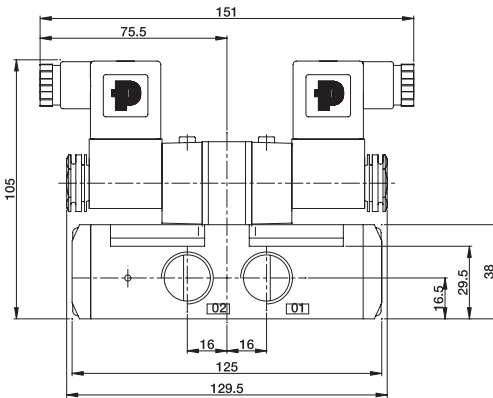
PHS540D

(Unit : mm)

### Lead wire Type

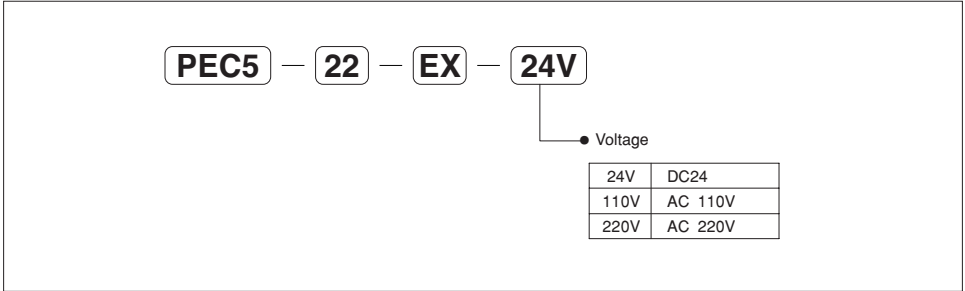


### DIN Connector Type

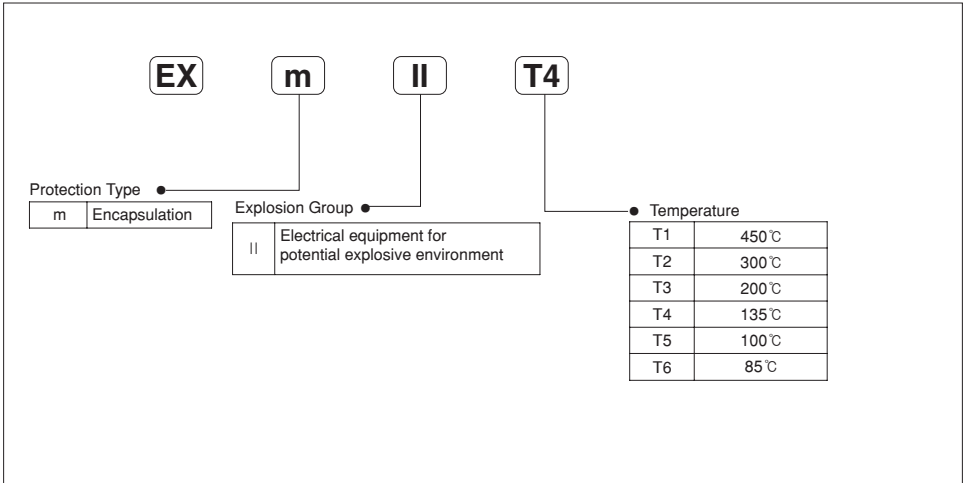


# Explosion Proof Coil for PHS Series

## ORDER KEY



## Explosion Proof Grade





# NAMUR Valve 34○Y Series



34○Y Series ————— P.482

# NAMUR Valve

# 34○Y Serie

## Rubber Seal

341Y	5/2 Way Single Solenoid
342Y	5/2 Way double Solenoid
343Y	5/3 Way Center Closed
344Y	5/3 Way Exhaust Center
345Y	5/3 Way Pressure Center

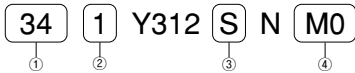


## Specification

Model No	Unit	341Y	342Y	343Y	344Y	345Y
Fluid		Non-Lubricated / Lubricated Air				
Port Size	G	PT 1/4"				
Effective Area	mm <sup>2</sup>	32.0		16.0		
Temperature Range	°C	5 ~ 60 °C				
Pressure Range	MPa (bar)	0.15 ~ 1.0 ( 1.5 ~ 10.0 )		0.2 ~ 1.0 ( 2.0 ~ 10.0)		
Max. Operating Cycle	cycle / s	5		3		
Response Time	ms	30 or less		40 or less		
Exhaust Type		Individual Exhaust				
Manual Override		Non-lock(Standard), Lever-lock(Optional)				
Shock/Vibration Resistance	m/s <sup>2</sup>	30G~5G (8.3~200Hz)				
Voltage	V	DC24V, AC110V, AC220V(50 ~60Hz)				
Allowable Voltage Fluctuation	%	AC : ±20% / DC : ±10%				
Power Consumption	W, VA	DC : 2.5W, AC : 3.5VA (60Hz)				
Insulation Class		F Class				
Wiring		Lead Wire, DIN Connector				
Indicator Light		LED				



## ORDER KEY



1. Series  
5 Port Solenoid Valve

### 2. Function

1	Single Solenoid 
2	Double Solenoid 
3	Center Closed 
4	Exhaust Center 
5	Pressure Center 

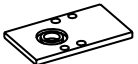
### 3. Orifice (mm)

U	6.0	341Y
		342Y
S		343Y
	5.0	344Y
		345Y

### 4. Manual Override

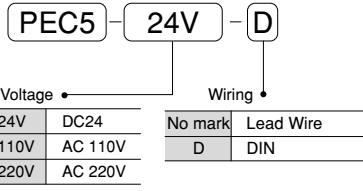
M0	Non-Lock
ML	Lever-Lock

Blanking Plate : CP01

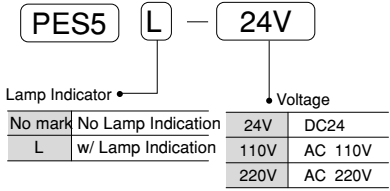


## Coil & Connector

### Coil



### Connector



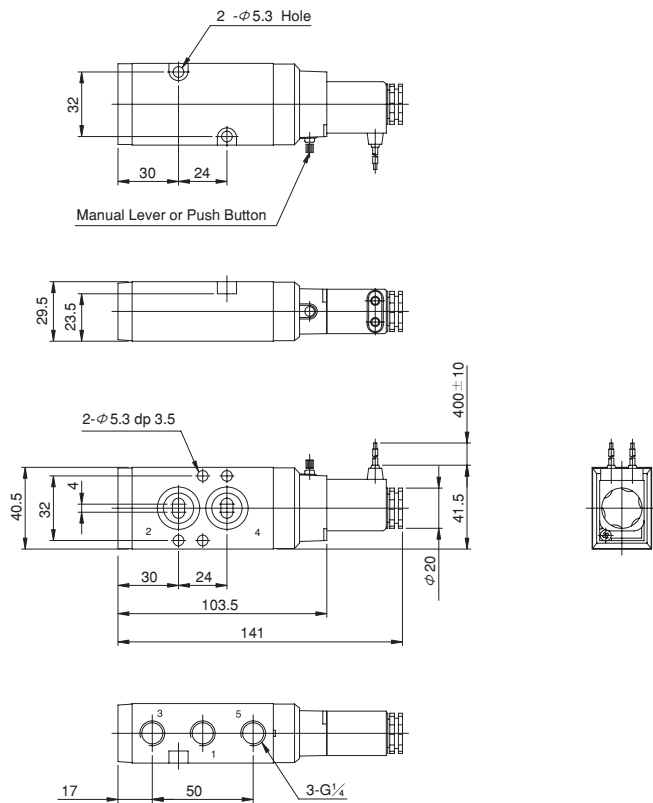
\*Please order connector when order Din connector

# NAMUR Valve

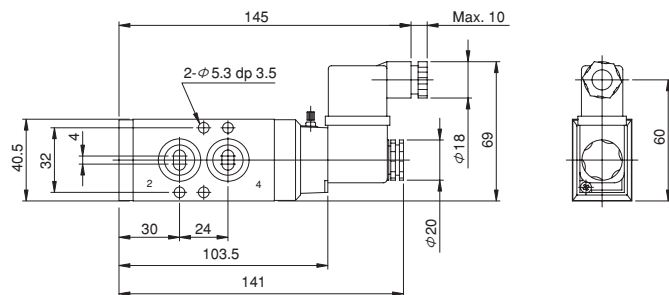
## Dimension

(Unit : mm)

### Lead Wire Type



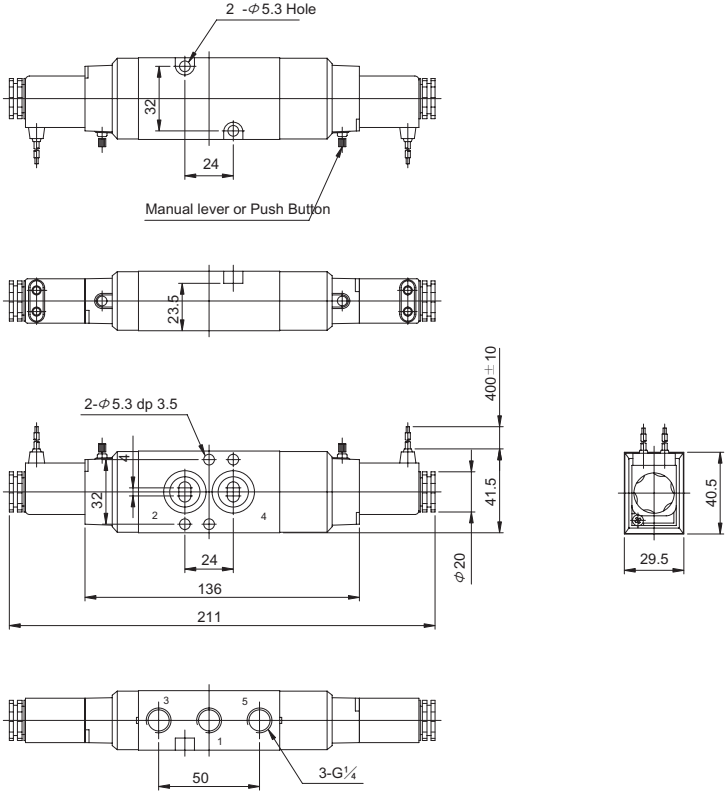
### DIN Connector Type



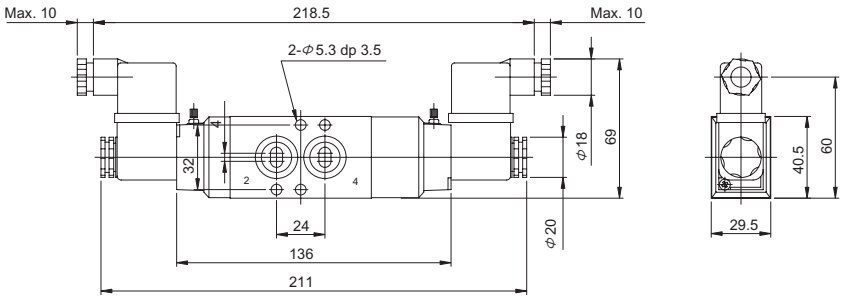
## Dimension

(Unit : mm)

### Lead Wire Type



### DIN Connector Type

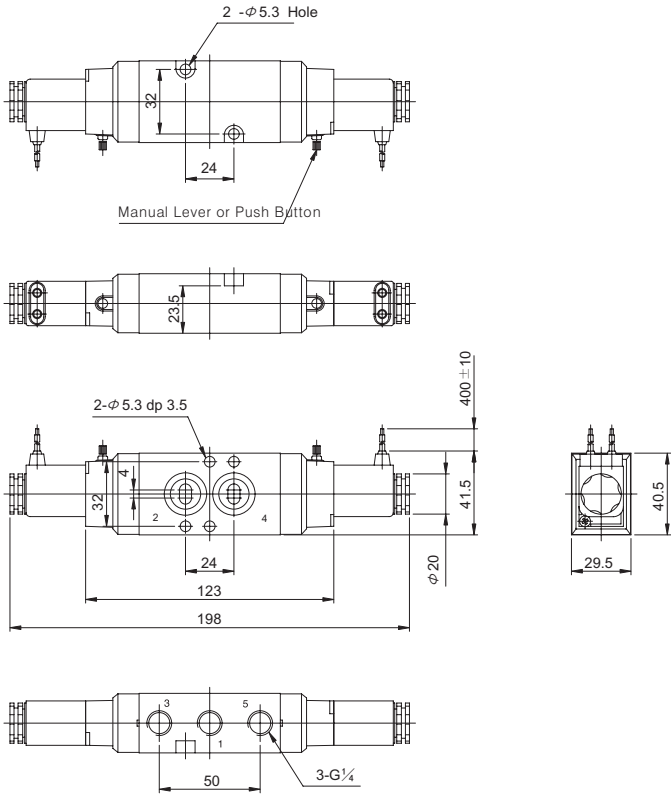


# NAMUR Valve

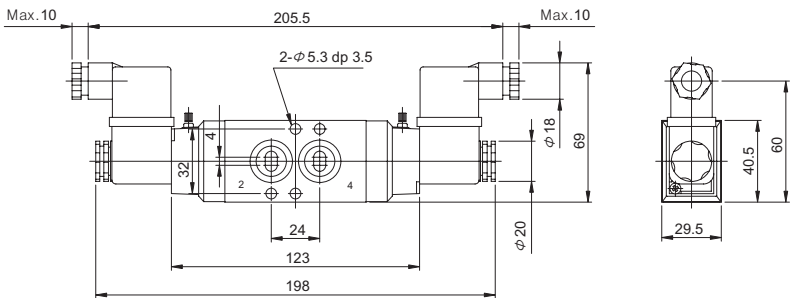
## Dimension

(unit : mm)

### Lead Wire Type



### DIN Connector Type





# 5 Port Air Operated Valve **PHP Series**



PHP 520 Series/IN-Line Type	—————	P.488
PHP 530 Series/IN-Line Type	—————	P.489
PHP 540 Series/IN-Line Type	—————	P.490

# 5 Port Air Operated Valve

# PHP520 Series

## Rubber Seal / In-Line Type



**PHP520S** 2 Position  
Single

**PHP520D** 2 Position  
Double

### ORDER KEY

**PHP520**    **S** — **8**

①                      ②

1. Function                      2. Port Size

S	Single
D	Double

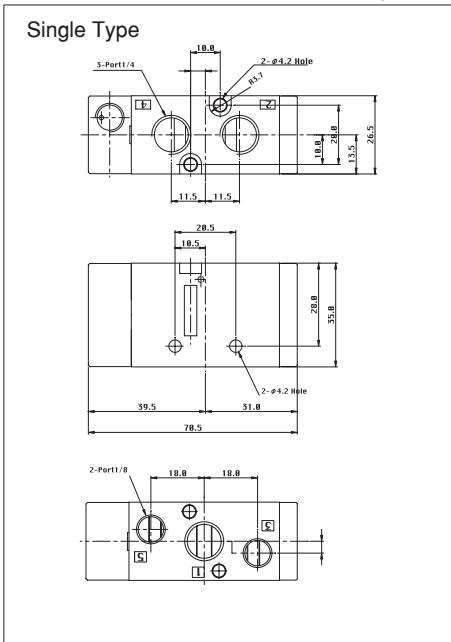
8	PT 1/4"
---	---------

### Specifications

Model No	Unit	PHP520S	PHP520D
Fluid		Non-lubricated / Lubricated Air	
Port Size		PT 1/4"	
Effective Area	mm <sup>2</sup> (CV)	18(1.0)	
Temperature Range	°C	5~60	
Pressure Range	MPA(bar)	0.15~0.9(1.5~9.0)	
Exhaust Type		Individual Exhaust	
Manual Override		Non-lock(Standard), Lever-lock(Option)	

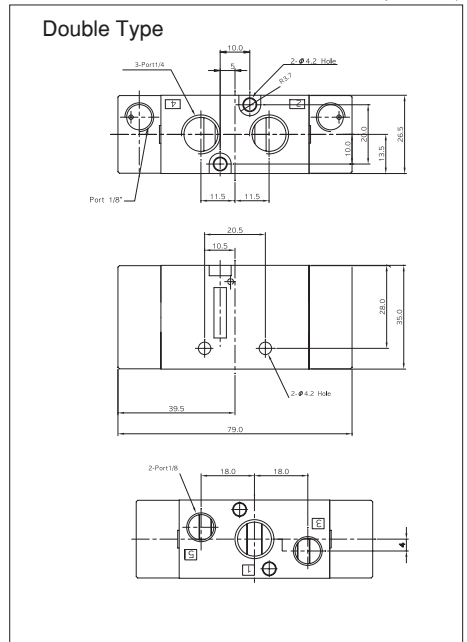
### Dimensions

(Unit : mm)



### Dimensions

(Unit : mm)



# 5 Port Air Operated Valve

# PHP530 Series

## Rubber Seal / In-Line Type



**PHP530S** 2 Position  
Single

**PHP530D** 2 Position  
Double

### ORDER KEY



1. Function

S	Single
D	Double

2. Port size

10	PT 3/8
----	--------

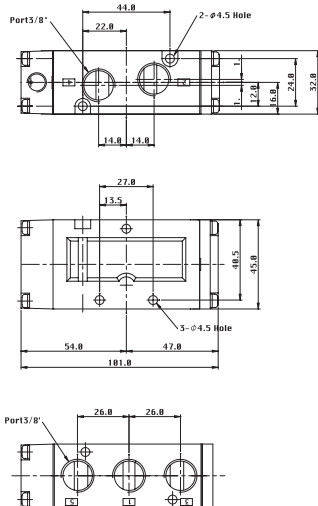
### Specifications

Model No	Unit	PHP530S	PHP530D
Fluid		Non-lubricated / Lubricated Air	
Port Size		PT 3/8"	
Effective Area	mm <sup>2</sup> (CV)	30(1.6)	
Temperature Range	°C	5~60	
Pressure Range	MPA(bar)	0.15~0.9(1.5~9.0)	
Exhaust Type		Individual Exhaust	
Manual Override		Non-lock(Standard), Lever-lock(Optional)	

### Dinemsins

(Uniti : mm)

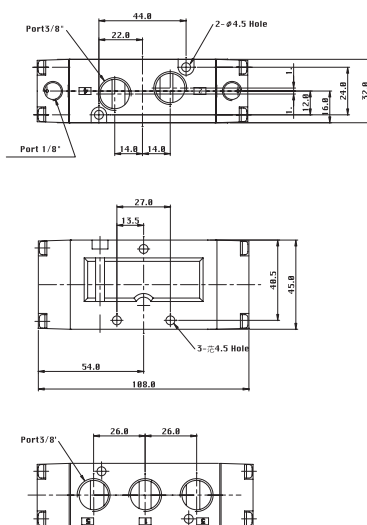
#### Single Type



### Dimensions

(Uniti : mm)

#### Double Type



# 5 Port Air Operated Valve

# PHP540 Series

## Rubber Seal / In-Line Type

**PHP540S**

2 Position  
Single

**PHP540D**

2 Position  
Double



### ORDER KEY



#### 1. Function

S	Single
D	Double

#### 2. Port Size

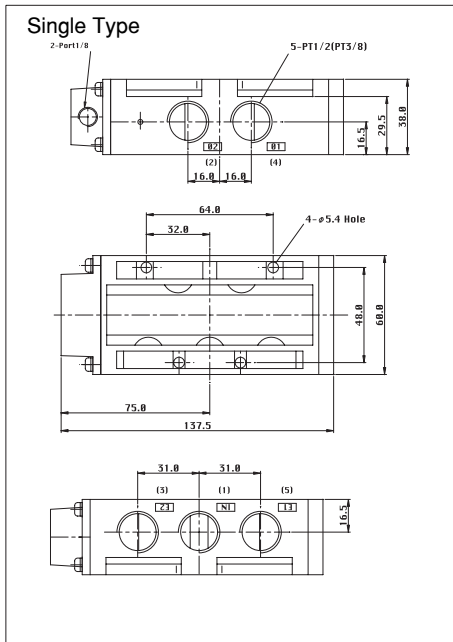
10	PT 3/8
15	PT 1/2

### Specifications

Model No	Unit	PHP540S	PHP540D
Fluid		Non-lubricated / Lubricated Air	
Port Size		PT 3/8, PT 1/2	
Effective Area	mm <sup>2</sup> (CV)	53(2.9)	
Temperature Range	°C	5~60	
Pressure Range	MPA(bar)	0.15~0.9(1.5~9.0)	
Exhaust Type		Individual Exhaust	
Manual Override		Non-lock(Standard), Lever-lock(Optional)	

### Dinemsins

(Unit : mm)



### Dinemsins

(Unit : mm)

