

TF62A

INSTRUCTION MANUAL

HANYOUNGNUXCO.,LTD

28, Gilpa-ro 71beon-gil, Michuhol-gu, Incheon, Korea TEL : +82-32-876-4697 http://www.hanyoungnux.com

Thank you for purchasing Hanyoung Nux products. Please read the instruction manual carefully before using this product, and use the product correctly. Also, please keep this instruction manual where you can see it any time.

MD1105KE220118

Safety information

Please read the safety information carefully then use the product correctly. The alerts declared in the manual are classified into Danger, Warning and Caution according to their importance

Table with 2 columns: Alert type (DANGER, WARNING, CAUTION) and Description of hazardous situations.

DANGER

The input/output terminals are subject to electric shock risk. Never let the input/output terminals come in contact with your body or conductive substances.

WARNING

- Please install an appropriate protective circuit on the outside if malfunction, an incorrect operation or failure of the product may be a cause of leading to a serious accident and plan for preventing accidents. After mounting the product onto a panel, please use a socket dedicated to the product when connecting with other units and do not turn on the power until completing wiring to prevent electric shock. Please turn off the power when mounting/dismounting of the product. This is a cause of electric shock, malfunction, or failure. If the product is used with methods other than specified by the manufacturer, then it may lead to injury or property damage. In order to use this product properly and safely, we recommend periodic maintenance. The warranty of this product (including accessories) is 1 year only when it is used for the purpose it was intended under normal condition.

CAUTION

- Please do not set "Time" to "0". This can be a cause of malfunction. Also, there could be a time difference in timer operation. Please use it after confirming the time difference. Please set or change "Time Range" in the dip switch while the timer is OFF. If the "Time Range" has been changed to other value during the operation, please turn off the timer and turn it back on. Since this is not explosion-proof structure, please use in a place where corrosive gas (such as harmful gas, ammonia, etc.), combustible or explosive gas does not occur. Please use in a place where there is no direct vibration and a large physical impact to the product. Please use in a place where there is no water, oil, chemicals, steam, dust, salt, iron or others. Please avoid using in a place where excessive amounts of inductive interference or electrostatic and magnetic noise occur. Please avoid using in a place where heat accumulation occurs due to direct sunlight or radiant heat. Please use in a place where the elevation is below 2,000 m. Please make sure to inspect the product if exposed to water since there is a possibility of electric leakage or a risk of fire. If there is a lot of noise from the power line, installing an insulated transformer or a noise filter is recommended. When the power is being supplied there should be a preparation time for the contact output. Please use a delay relay together when it is used as a signal on the outside of interlock circuit or others.

Suffix code

Table with 4 columns: Model, Code, Description, Product configuration. Lists suffix codes for time range and control output.

Specification

Table with 2 columns: Specification Item and Value. Includes timer type, power voltage, allowable voltage, power consumption, operating time range, return time, external connection method, control output, relay life, insulation resistance, dielectric strength, noise immunity, vibration resistance, shock resistance, operating ambient temperature, accessories, and weight.

Dimension & Panel cutout

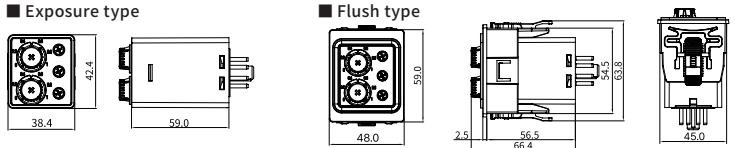
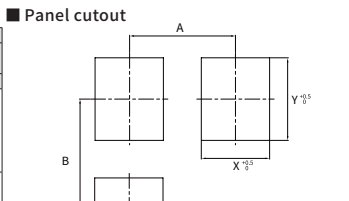


Table with 4 columns: Bracket Type, Product Name, Size, Model. Lists BRACKET-S, BRACKET-M, BRACKET-L, and BRACKET-SCO.



Connection diagram

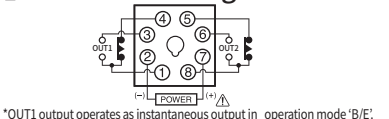


Table with 4 columns: Assortment, Indication, S, M, L. Lists panel cutout dimensions for different models.

Function and name of each part

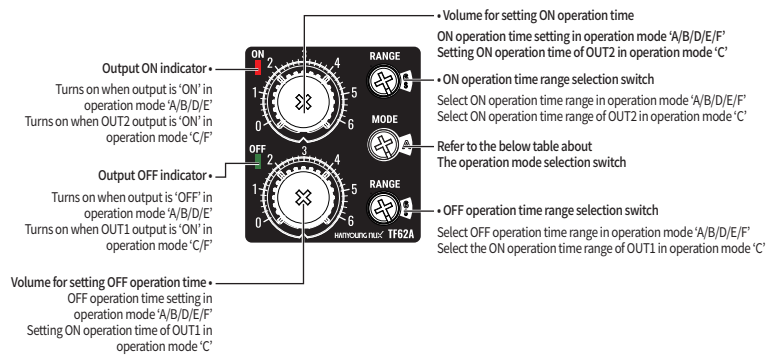
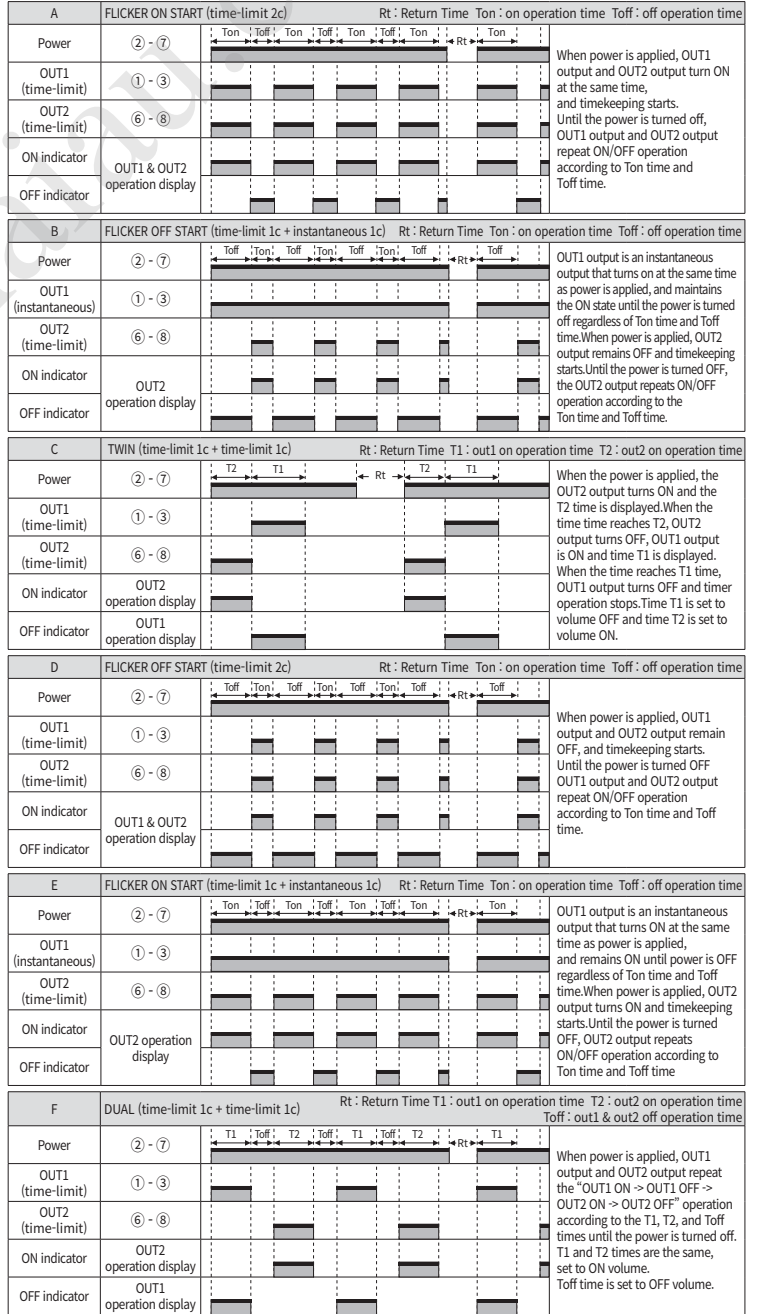


Table showing ON/OFF operation time range selection switch and operation mode selection switch settings. Includes time range, setting time range, and output operation mode for models TF62A-1, TF62A-3, and TF62A-6.

Operation mode



*OUT1 output operates as instantaneous output in operation mode 'B/E'.