

Turn Light

TLB series

INSTRUCTION MANUAL

Thank you for purchasing HANYOUNG product.
Please check whether the product is the exactly same as you ordered. Before using the product, please read this instruction manual carefully.

HEAD OFFICE

 1381-3, Juan-Dong, Nam-Gu Incheon, Korea
 TEL : +82-32-876-4697 FAX : +82-32-876-4696 <http://www.hynux.net>

HANYOUNG NUX

Safety information

Alerts declared in the manual are classified to Danger, Warning and Caution by their criticality

	DANGER	DANGER indicates an imminently hazardous situation which, if not avoided, will result in death or serious injury
	WARNING	WARNING indicates a potentially hazardous situation which, if not avoided, could result in death or serious injury
	CAUTION	CAUTION indicates a potentially hazardous situation which, if not avoided, may result in minor or moderate injury

Danger

- Be sure to turn off power before connecting wires or changing bulb. It can cause shock.

Warning

- Please check for the correct voltage before installing it. Over voltage will cause a break down of product
- Please do not temporarily change the specification of product or do not use with other product parts. It will cause a break down of product.
- End of unused lead wire must be insulated.
- Power switch and fuse are not attached to this product. Please install them separately on the outside.

Caution

- This product is only suitable for indoor use. Please keep it away from damp place.
- Please refer to the "Wiring Diagram" when you wire the product. Incorrect wiring will cause a break down of product.
- Do not pull wires outside of product, pulling wires can cause breaking of wires, disconnection and break down of product
- Applying a strong shock on the outside of product may cause a break down of product.

HOW TO ORDER

Model	Suffix code	Description
TLB060-	<input type="checkbox"/> <input type="checkbox"/> <input type="checkbox"/> <input type="checkbox"/>	Turn Light
Shape	P	Round shape lens, Direct mount (Buzzer) ※ Optional
	F	Square shape lens, Direct mount (Buzzer) (supporter : STM-84)
	R	Round shape lens, Prop mount ※ "F" function
	X	Square shape lens, Prop mount selection excluded
Function	A	Revolution and continuous light
	F	Revolution and continuous light, Buzzer (Only for the P & F shape)
Rated voltage	C51	24 V d.c / a.c, 50 - 60 Hz
	A11	100 - 240 V a.c, 50 - 60 Hz
Color	R	Red
	Y	Yellow
	G	Green

Model	Suffix code	Description
TLB100-	<input type="checkbox"/> <input type="checkbox"/> <input type="checkbox"/> <input type="checkbox"/>	Turn Light
Shape	P	Round shape lens, Direct mount
	F	Square shape lens, Direct mount
Function	A	Revolution and continuous light
	F	Revolution and continuous light, Buzzer
Rated voltage	C51	24 V a.c / d.c, 50 - 60 Hz
	A11	100 - 240 V a.c, 50 - 60 Hz
Color	R	Red
	Y	Yellow
	G	Green

Model	Suffix code	Description
TLB150-	<input type="checkbox"/> <input type="checkbox"/> <input type="checkbox"/> <input type="checkbox"/>	Turn Light
Shape	F	Square shape lens, Direct mount
Function	A	Revolution and continuous light
	F	Revolution and continuous light, Buzzer (Except stainless material)
Rated voltage	C51	24 V a.c / d.c, 50 - 60 Hz
	A11	100 - 240 V a.c, 50 - 60 Hz
Color	R	Red
	Y	Yellow
	G	Green

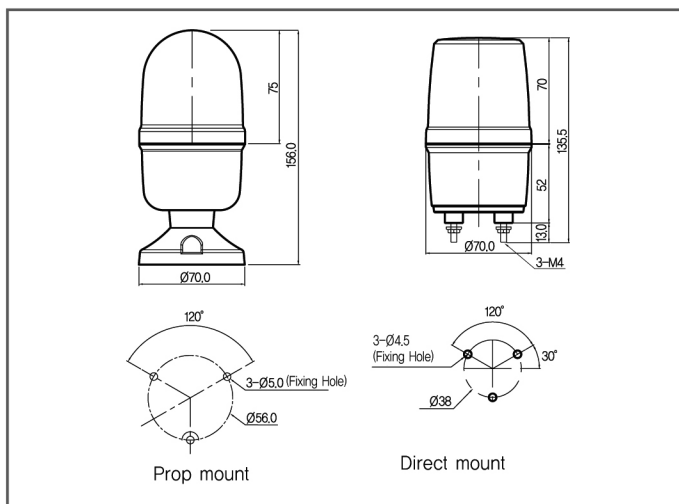
SPECIFICATION

Model	TLB060	TLB100	TLB150	
Color	RED, YELLOW, GREEN 3 colors			
Bulb	24 V / 5 W	24 V / 10 W	24 V / 21 W	
Light source(socket)	Incandescent lamp(BA 15S)			
Revolutions per Minute	Approx. 210 times	Approx. 170 times	Approx. 85 times	
Buzzer Sound Pressure	Approx. 80 dB	Approx. 90 dB		
Power	24 V d.c / a.c	7 W	12 W	24 W
Consumption	100 - 240 V a.c	11 W	15 W	33 W

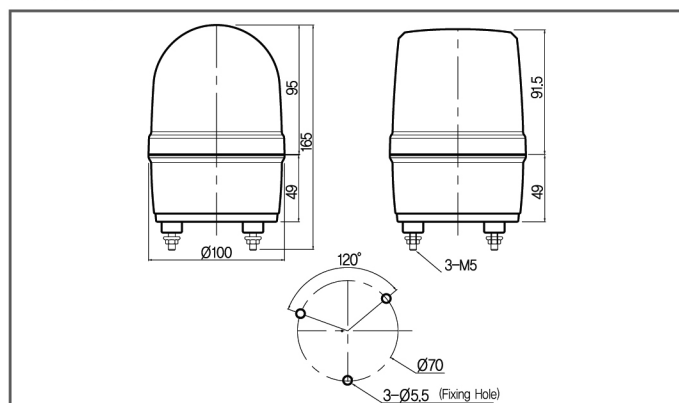
DIMENSIONS

Unit : [mm]

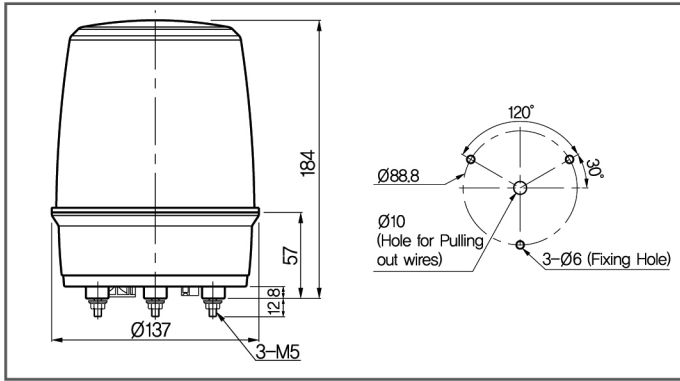
■ TLB060



■ TLB100



■ TLB150

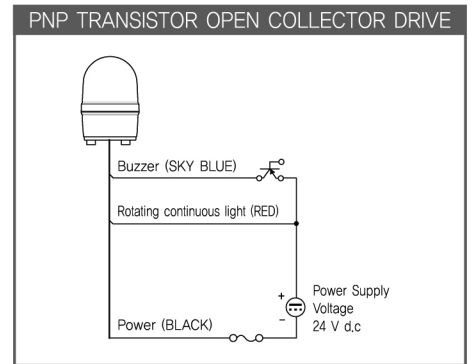
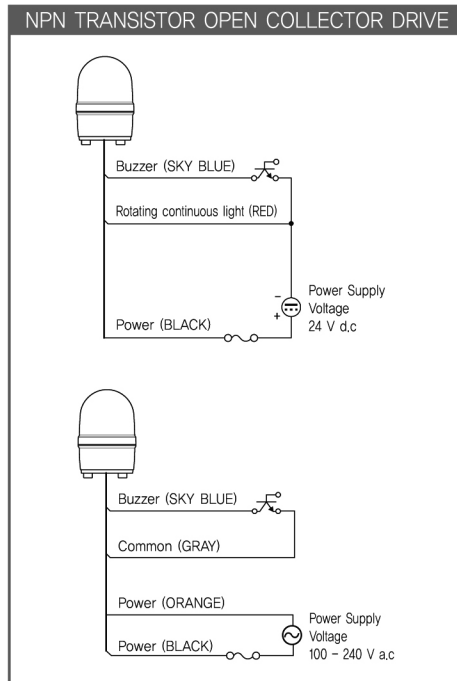
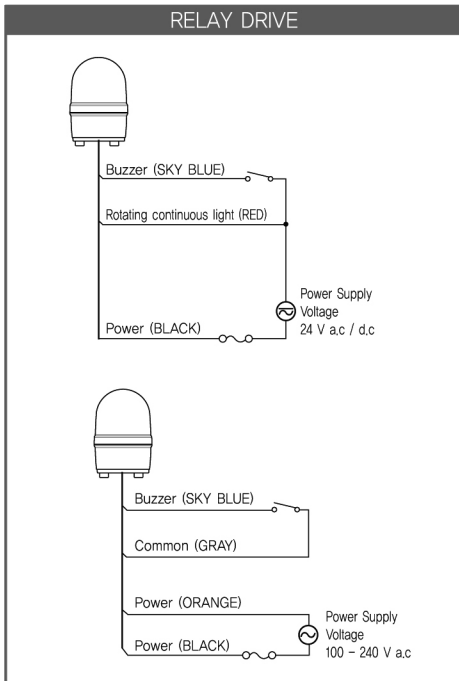
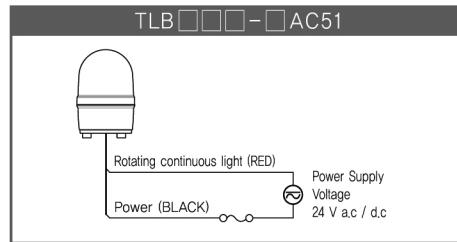
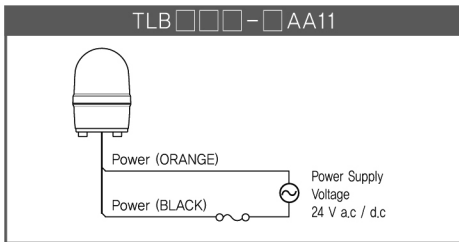


WIRING AND HOW TO USE

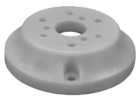

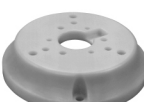
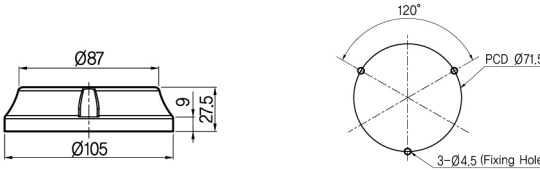
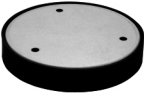
- Installing fuse on power input cable is recommended for safety.
- Before switching on, please make sure all the wire connections are right.
- In case of transistor drive and the input of 24 V d.c/a.c, please pay attention to the polarity.
- Buzzer is only available in the Function "F"

Model	TLB060	TLB100	TLB150	
Fuse	24 V d.c/a.c	250 V a.c 1 A	250 V a.c 1.5 A	250 V a.c 2 A
capacity	100 - 240 V a.c	250 V a.c 1 A	250 V a.c 1 A	250 V a.c 1 A

WIRING DIAGRAM



ACCESSORIES (SEPARATE PURCHASE IS REQUIRED)

Item name	Model applied	Dimensions
 STM-84 Stand	TLB060-P-□□□ TLB060-F-□□□	
 STM-105 Stand	TLB 100	
 MTM-98 Magnetic Stand	TLB 100	