

LED Sign Tower

STL series

INSTRUCTION MANUAL

Thank you for purchasing HANYOUNG product.
Please check whether the product is the exactly same as you ordered.
Before using the product, please read this instruction manual carefully.
Please keep this manual where you can view at any time

HEAD OFFICE

HANYOUNGNUX CO.,LTD

28, Gilpa-ro 71beon-gil, Nam-gu, Incheon, Korea
TEL : (82-32)876-4697 FAX : (82-32)876-4696
http://www.hynux.com

INDONESIA
FACTORY

PT. HANYOUNG ELECTRONIC INDONESIA

JL.CEMPAKA BLOK F 16 NO.02 DELTA SILICON II INDUSTRIAL PARK LIPPO CIKARANG CICAU,
CIKARANG PUSAT, BEKASI INDONESIA 17550 TEL : 62-21-8911-8120~4 FAX : 62-21-8911-8126

**Safety information**

Before using the product, please read the safety information thoroughly and use it properly.
Alerts declared in the manual are classified to Danger, Warning and Caution by their criticality

	DANGER	DANGER indicates an imminently hazardous situation which, if not avoided, will result in death or serious injury
	WARNING	WARNING indicates a potentially hazardous situation which, if not avoided, could result in death or serious injury
	CAUTION	CAUTION indicates a potentially hazardous situation which, if not avoided, may result in minor or moderate injury

WARNING

- If the user use the product with methods other than specified by the manufacturer, there may be bodily injuries or property damages.
- If there is a possibility of an accident caused by errors or malfunctions of this product, install external protection circuit to prevent the accident.

CAUTION

- This product is only suitable for indoor use. Please keep it away from damp place.
- Please use correct voltage. Over voltage will cause a break down of product.
- Please refer to 'Connection Diagram' when you wire product. Wrong wiring will cause a break down of product.
- Do not pull wire strongly that is outside of product. It will cause a break down of product.
- Big impact on this product will cause a break down of LED units.
- Please do not change parts of product or do not use other product parts. It will cause a break down of product.
- End of unused lead wire must be insulated.
- Contamination by thinner, benzene over lens or top cover will cause a fade in color or transformation in shape.
- Power switch and fuse are not attached to this product. So please install them outside. (Fuse rated : 250 V 0.5 A)

Precaution for Compliance with UL Standards

For use on a flat surface of a type 1 enclosure recognized by UL.

Suffix code

Model	Code	Description
STL 025	<input type="checkbox"/> <input type="checkbox"/> <input type="checkbox"/> <input type="checkbox"/>	LED Sign Tower (LED light source)
Circumference size	025	Ø25 cylinder type
Power supply voltage	D51	24 V DC
Stacking modules	1	1 Light (R)
	2	2 Light (R, G)
	3	3 Light (R, Y, G)
	4	4 Light (R, Y, G, B)
	5	5 Light (R, Y, G, B, W)
Polarity	N	NPN (common anode)
	P	PNP (common cathode)

* 12 V - On demand product

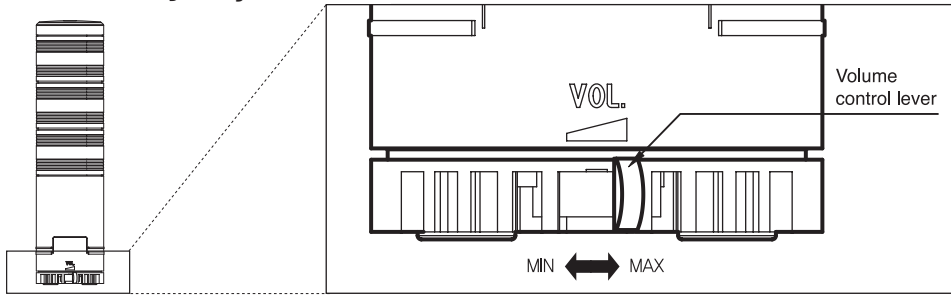
Model	Code	Description
STL 040, 060, 080	<input type="checkbox"/> <input type="checkbox"/> <input type="checkbox"/> <input type="checkbox"/>	sign tower (LED light source)
Circumference size	040	Ø40 cylinder type
	060	Ø60 cylinder type
	080	Ø80 cylinder type
Function	A	Continuous light only
	F	Continuous light, flashing light and buzzer (selected by the external signal)
Power supply voltage	C51	24 V DC / AC 50 - 60 Hz (dual usage)
	A11	100 - 240 V AC 50 - 60 Hz
Stacking modules	1	1 Light (R)
	2	2 Light (R, G)
	3	3 Light (R, Y, G)
	4	4 Light (R, Y, G, B)
	5	5 Light (R, Y, G, B, W)
Supporter selection	D	Direct installation (volt fixing installation)
	L	L type supporter
	M	Plastic supporter
Optional		Selecting type supporter (STM)
		Elbow type supporter installation (ETM)

* 12 V - On demand product

Specification

Model	STL 025	STL040 - <input type="checkbox"/> <input type="checkbox"/> <input type="checkbox"/> <input type="checkbox"/>	STL060 - <input type="checkbox"/> <input type="checkbox"/> <input type="checkbox"/> <input type="checkbox"/>	STL080 - <input type="checkbox"/> <input type="checkbox"/> <input type="checkbox"/> <input type="checkbox"/>
Circumference size	Ø25	Ø40	Ø60	Ø80
Function	Continuous light only	continuous light, flashing light, buzzer (selected by the external signal)		
Number of stacks	1 ~ 5 Light			
Flashing time	-	60 times / 1min		
Buzzer melody type	-	Single melody, beeping (volume of buzzer melody spreads out to 1 m)		
Buzzer melody volume	-	Approx. 75 dB	Approx. 85 dB	
Power supply voltage	24 V DC	24 V DC / AC, 100 - 240 V AC 50 - 60 Hz		
Drive	Relay drive	Relay, NPN, PNP transistor open collector drive 24 V DC / AC		
	NPN Transistor(polarity : N type), PNP Transistor(polarity : P type) open collector drive	Relay, NPN transistor open collector drive 100 - 240 V AC		
Power consumption	Approx less than 4 W (5th stack standard, 0.6 W for each stacks)	Approx less than 8 W (5th stack standard, 1.2 W for each stacks)		
Light source	LED			
Radiating angle	360°			
Lens material	Polycarbonate (PC)			
Pipe material	Aluminum			
Lens color	Red, yellow, green, blue and white			
Degree of protection	IP54			

Buzzer melody adjustment

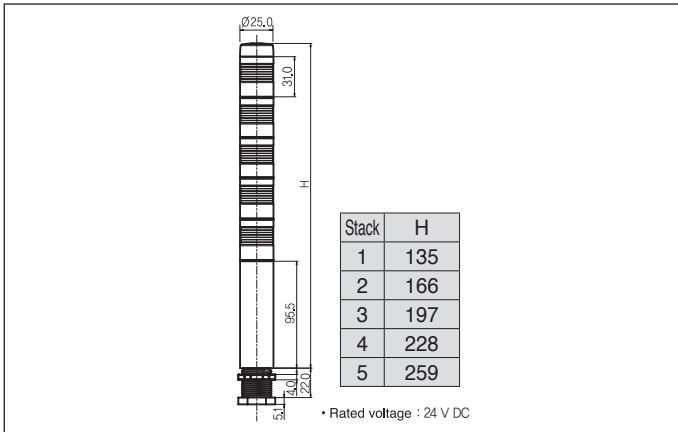


- User can control volume by lever.
- If you pull lever strongly, it will cause a break down of lever.

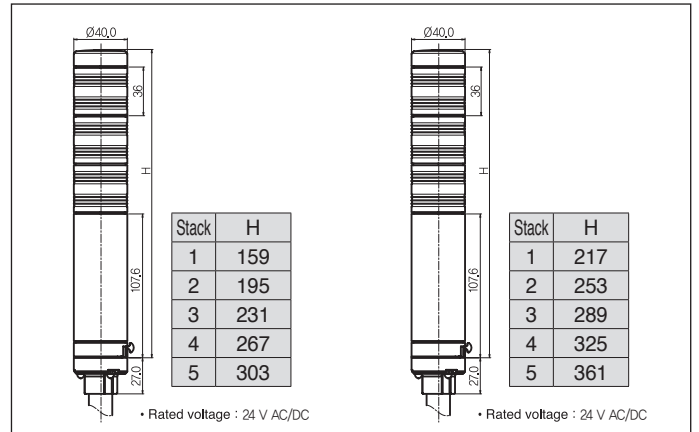
Dimension

[Unit : mm]

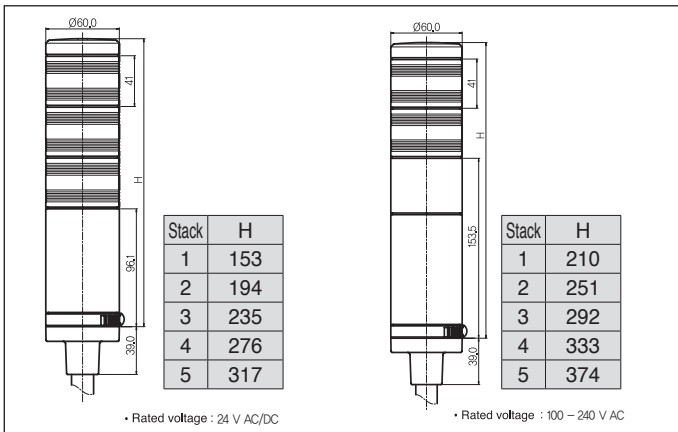
■ STL 025



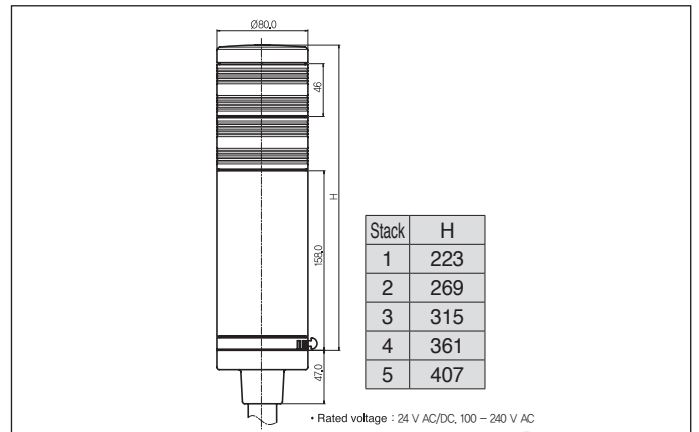
■ STL 040



■ STL 060

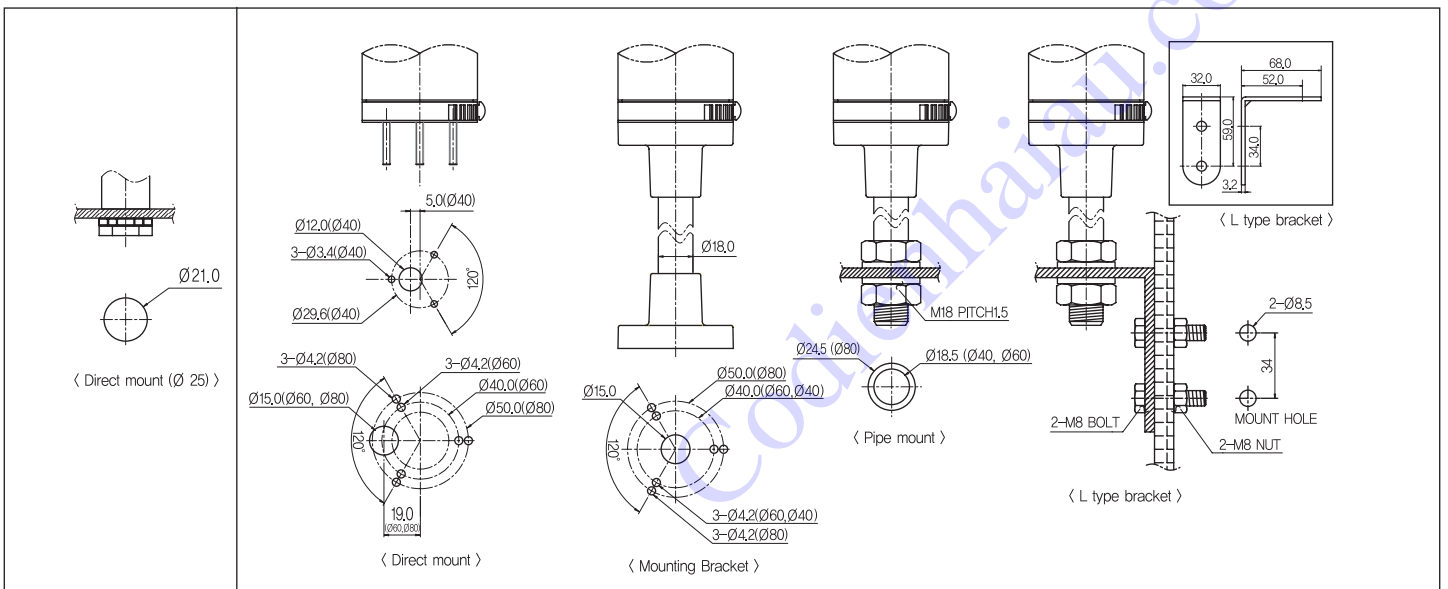


■ STL 080



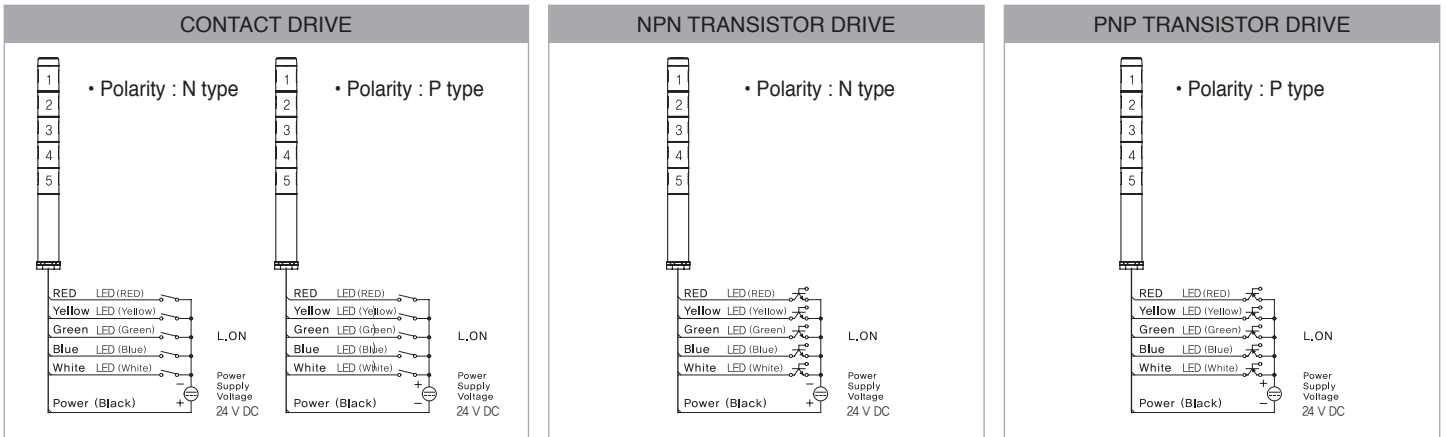
How to install

- Fixing must be done carefully in selected place as horizontal or vertical or vertical surface that are not shaking too much.

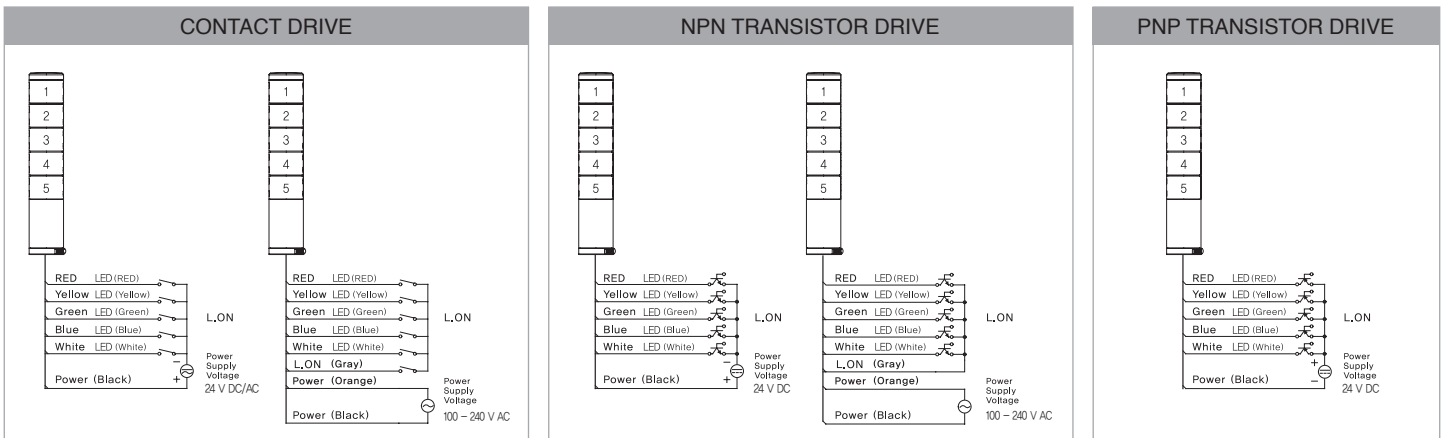


Connection diagram

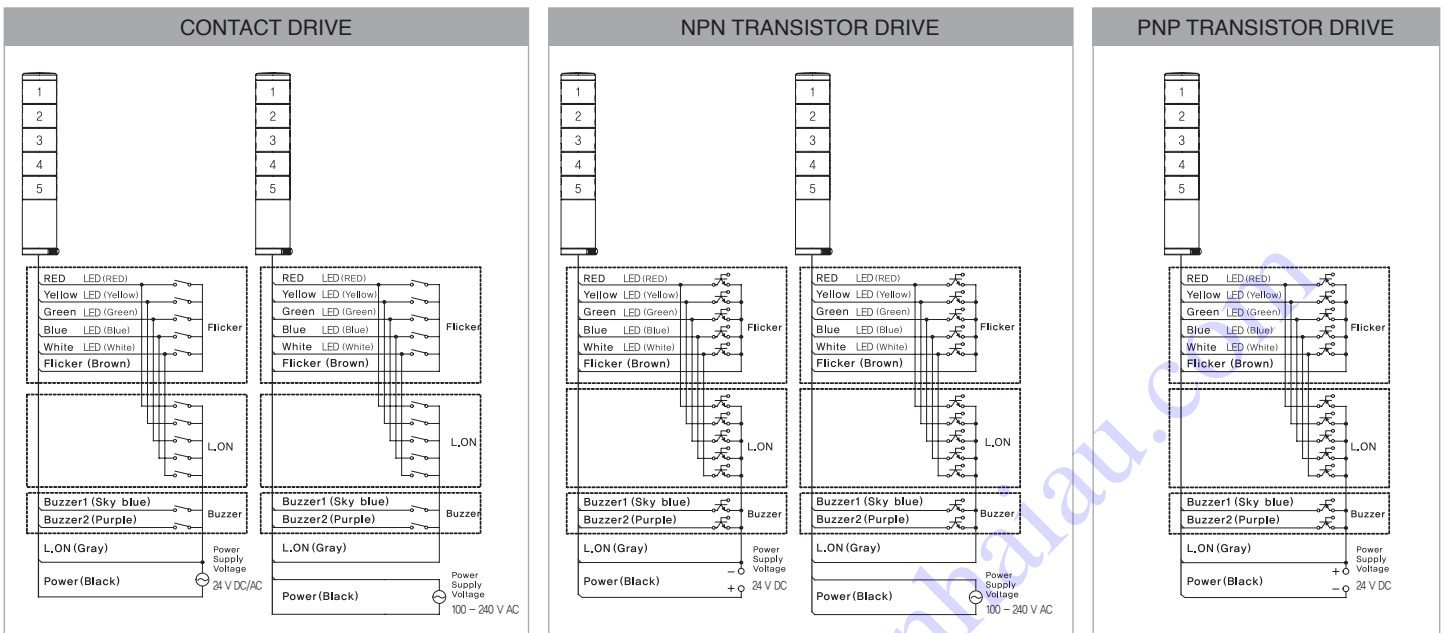
■ STL 025



■ Continuous light only(STL-040A, STL-060A, STL-080A)



■ Continuous light, Flashing light, Buzzer (STL-040F, STL-060F, STL-080F)



■ Recommended external drive component

- In case of relay drive, Please use product that has over 50 mA contact capacity of external relay.
- In case of transistor drive, Please use product that has over 40 V allowable voltage for collector / emitter of external transistor. And allowable current of collector is over 50 mA.

Wiring and how to use

- Before switching on, please make sure all the wire connections are right.
- When you use PNP or NPN Drive and in case of 24 V AC/DC, please pay attention to the polarity.
- Connection diagram for 12 V (On demand product) is same as 24 V AC/DC.