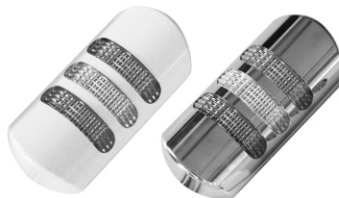


Wall Mounted Light

# WME series

## INSTRUCTION MANUAL

Thank you for purchasing HANYOUNG NUX CO., Ltd. Product. Please check whether the product you purchased is the exactly same as you ordered. Before using product, please read instruction manual carefully.

**HANYOUNG NUX****HEAD OFFICE**

1381-3, Juan-Dong, Nam-Gu, Incheon, Korea  
TEL : +82-32-876-4697 FAX : +82-32-876-4696

<http://www.hynux.net>

## Safety information

This product is only suitable for indoor use. Please keep it away from damp place.

### Caution

- Please use the correct voltage. Over voltage will cause a break down of product.
- Please refer to the 'Wiring Diagram' when you wire product. Wrong wiring will cause a break down of product, or will not turn the light on.
- Do not pull the wire strongly that is outside of the product. It will cause a break down of product.
- Big impact on this product will cause a break down of LED units.
- Please do not modify the specification of product or do not use other product parts to assemble. It will cause a break down of product.
- End of unused lead wire must be insulated.
- Contamination by thinner, benzene and etc on the over lens or top cover will cause a fade in color or transformation in shape.
- Power switch and fuse are not attached to this product so please separately install them on the outside. (Fuse rated : 250 V 0.2 A)

## Suffix code

Model	Code	Description
WME -	<input type="checkbox"/> <input type="checkbox"/> <input type="checkbox"/>	Wall Mounted Light
Body	B	Beige color
	C	Chrome plating
Function	A	Continuous light
	F	Continuous light, Flashing light, Buzzer(Selected by the external signal)
Power supply voltage	C51	24 V d.c / a.c (dual usage), 50 - 60 Hz
	C41	12 V d.c / a.c (dual usage), 50 - 60 Hz ※ C41 Custom option

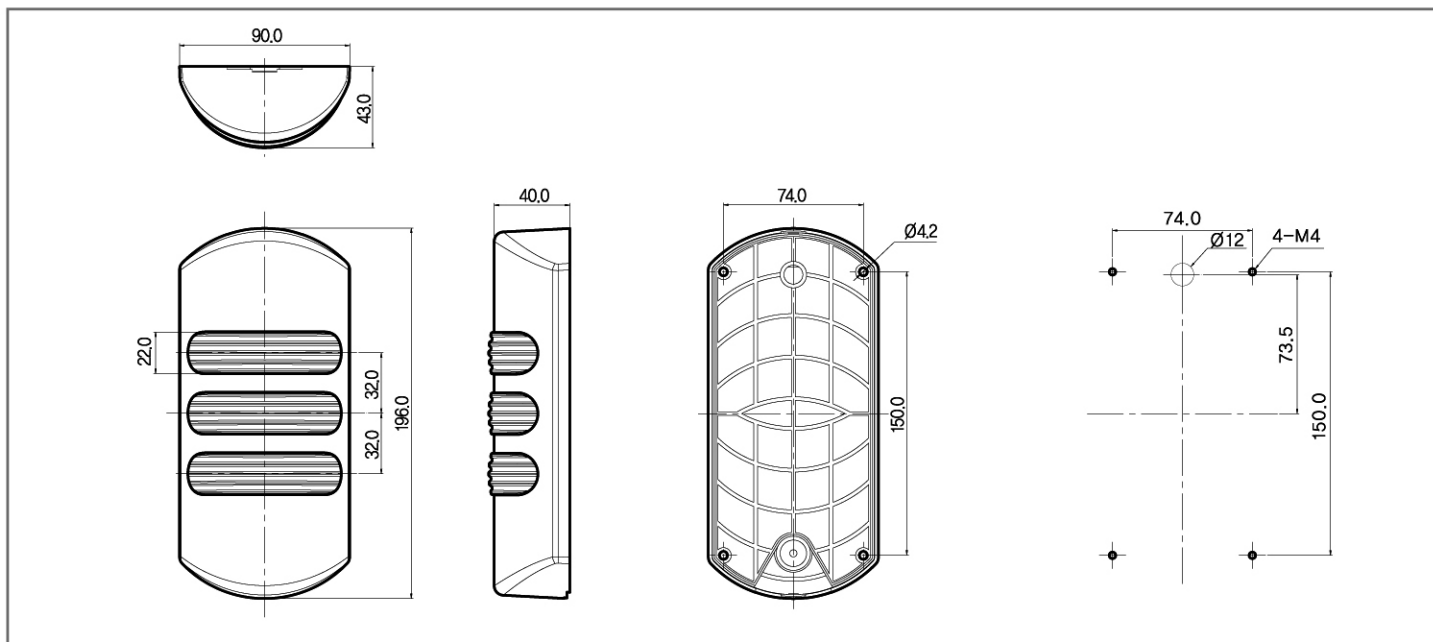
## Specification

Model	WME-BA	WME-CA	WME-BF	WME-CF
Body	Beige color	Chrome plating	Beige color	Chrome plating
Function	Continuous light		Continuous light, Flashing light, Buzzer (Selected by the external signal)	
Stack	3			
Flashing Light	-		60 flashes per 1 minute	
Buzzer	-		2 kinds of buzzer (Approx. 80 dB at 1 meter)	
Power supply voltage	24 V d.c / a.c, 50 - 60 Hz ※ 12 V d.c / a.c (Custom option)			
Power consumption	Max 2.1 W			
Light source	LED			
Material	Lens : Polycarbonate (P.C), Body : ABS			
Color	RED, YELLOW, GREEN			
Degree of Protection	IP54			

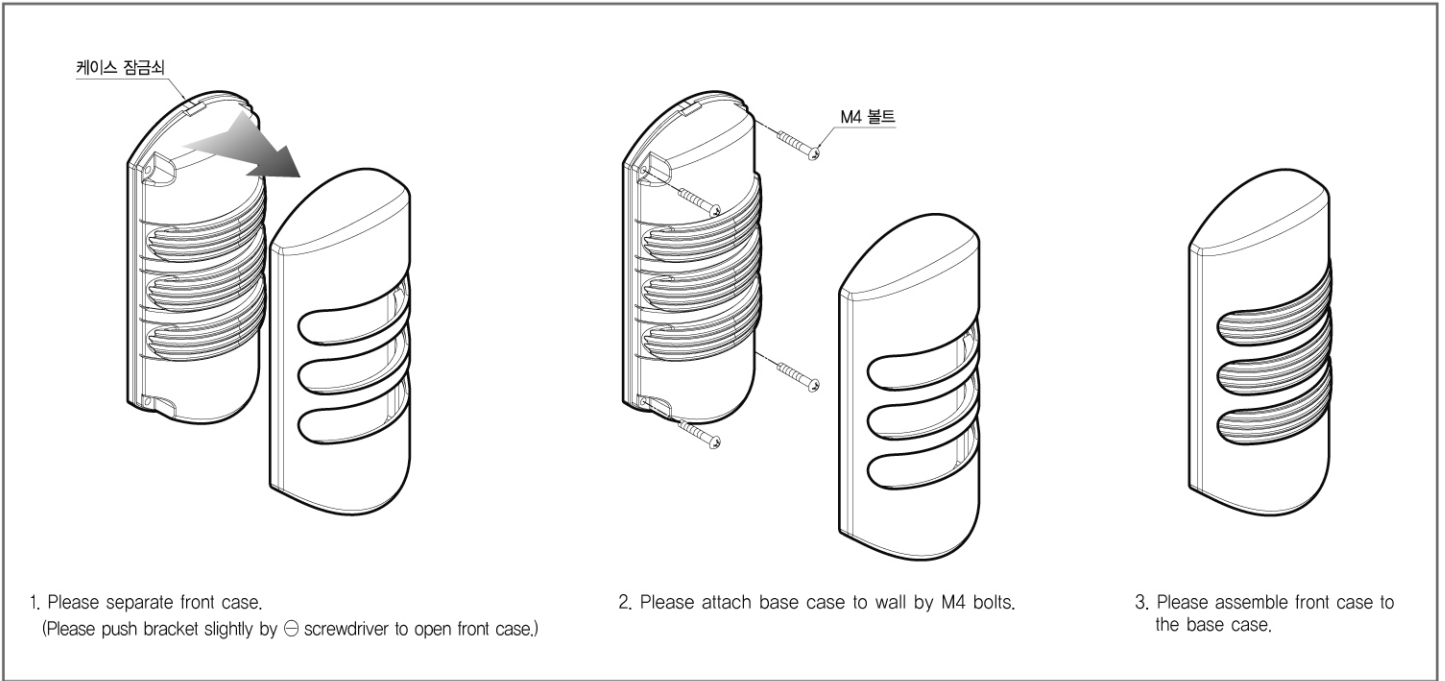
## Dimensions

### ■ WME Series

Unit : [mm]

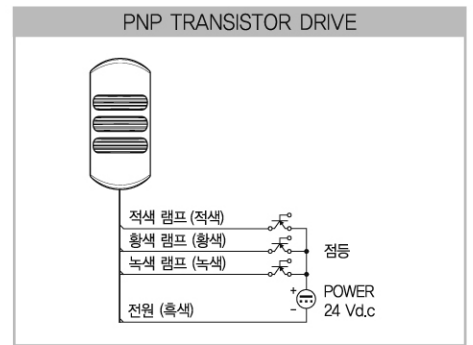
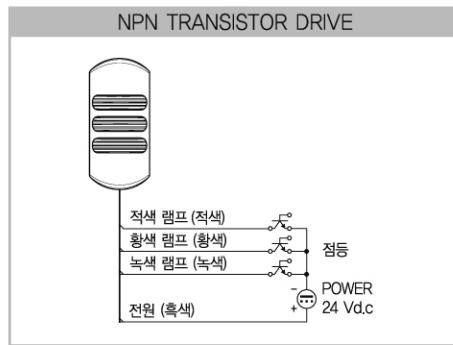
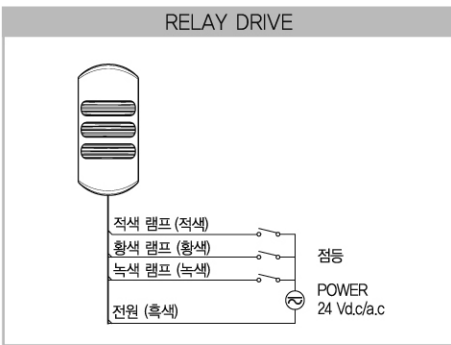


## How to attach

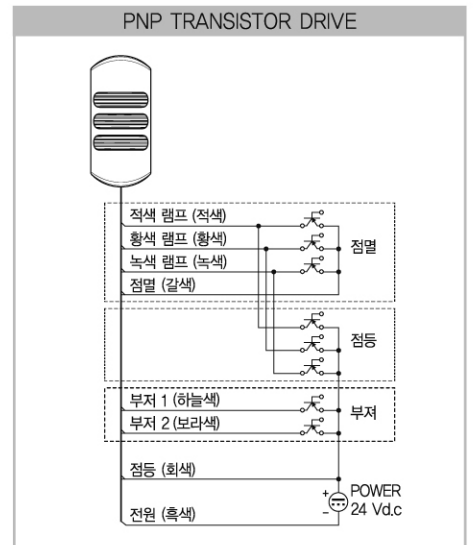
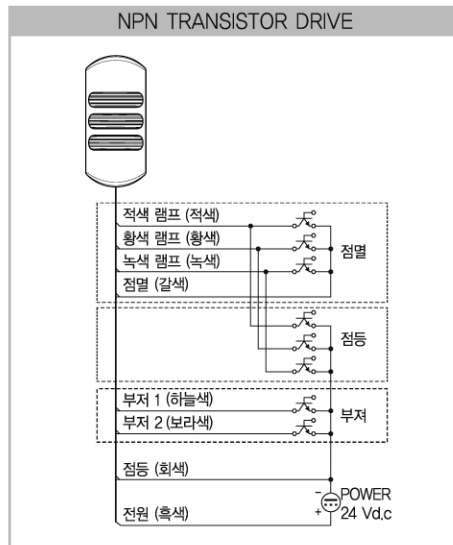
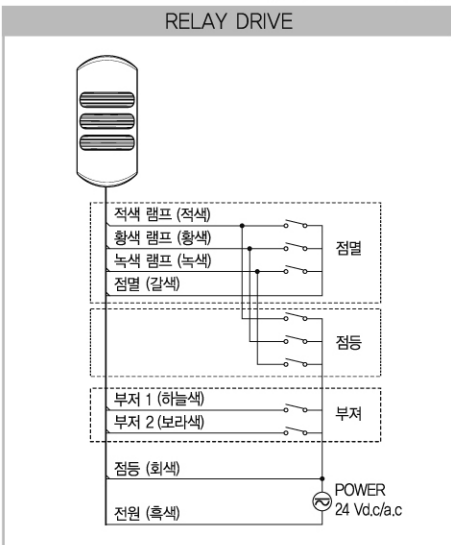


## Wiring diagram

### ■ WME-A (Continuous light)



### ■ WME-F (Continuous light, Flashing light, Buzzer)



## Wiring and how to use

- Before switching on, please make sure all the wire connections are right.
- When you use PNP or NPN Drive and in case of 24 V a.c/d.c, please pay attention to the polarity.