

HE40H/HE60H

Hollow shaft rotary encoder

- Wide power supply voltage (5 – 12 / 12 – 24 V DC)
- Various output specification
- Simple installation structure



Suffix code

Model		Code						Description
HE	<input type="checkbox"/> -	<input type="checkbox"/>	<input type="checkbox"/>	<input type="checkbox"/>	<input type="checkbox"/>	<input type="checkbox"/>	<input type="checkbox"/>	Hollow shaft rotary encoder (incremental)
Dimension	40H	6						Outer diameter : Ø40 mm, inner diameter : Ø6 mm
		8						Outer diameter : Ø40 mm, inner diameter : Ø8 mm
		10						Outer diameter : Ø40 mm, inner diameter : Ø10 mm
		12						Outer diameter : Ø40 mm, inner diameter : Ø12 mm
	60H	6						Outer diameter : Ø60 mm, inner diameter : Ø6 mm
		8						Outer diameter : Ø60 mm, inner diameter : Ø8 mm
10							Outer diameter : Ø60 mm, inner diameter : Ø10 mm	
		12					Outer diameter : Ø60 mm, inner diameter : Ø12 mm	
Number of pulse		*						Refer to the pulse code chart (resolving power)
Output signal (output phase)			2					A, B phase output
			3					A, B, Z phase output
			3C					A, B, \bar{Z} phase output
			4					A, \bar{A} , B, \bar{B} phase output
			6					A, \bar{A} , B, \bar{B} , Z, \bar{Z} phase output
Output circuit		N	24					NPN voltage output (12 – 24 V DC)
			12					NPN voltage output (5 – 12 V DC)
		O	24					NPN open collector output (12 – 24 V DC)
			12					NPN open collector output (5 – 12 V DC)
		T	24					Totem pole output (12 – 24 V DC)
			12					Totem pole output (5 – 12 V DC)
	L					Line Driver output (5 V DC)		



●● Pulse code chart (Resolving power)

Model classification	Number of pulse per 1 revolution
HE40H	*1, *2, *5, 10, *12, 15, 20, 25, 30, 40, 45, 50, 60, 75, 100, 120, 125, 150, 192, 200, 240, 250, 256, 300, 360, 400, 500, 512, 600, 800, 1000, 1024, 1200, 1500, 1800, 2000, 2048, 2500
HE60H	500, 600, 720, 800, 1000, 1024, 1200, 2000, 2048, 2500

A and B phase only can be generated with 「*」mark
Pulses other than the pulses in the chart are order made product

●● Specification

Electrical specification

Phase difference on output	Phase difference between the phase A and B : T/4 ± T/8 (1 cycle of A phase = T)	
Response speed	200 KHz max.	
Rated voltage	Voltage output	※ By the suffix code
	Open collector	5 – 12 V DC ±5 %
	Totem pole output	12 – 24 V DC ±5 %
	Line drive	5 V DC
Current consumption	60 mA max (No load), Line drive output less than 50 mA (No load)	
Connection type	Cable extended type	
Control output	NPN voltage output	Load voltage : 30 V max, load current : 30 mA max
	NPN open collector	Remaining voltage : 0.4 V max
	Totempole	LOW (Load current : 30 mA max, remaining voltage : 0.4 V max)
		HIGH (Load current : 10 mA max, remaining voltage : rated voltage above -2.5 V DC)
Line driver	LOW (Load current : 20 mA max, 0.4 V max) HIGH (Load current : 20 mA max, Remaining voltage : 2.5 V)	
Response time	Voltage output	1 μs max (Wire length : 1.5 m, Sinking current = 30 mA)
	Open collector	
	Totem pole	1 μs max (Wire length : 1.5 m, sinking current = 10 mA max.)
	Line drive	1 μs max (Wire length : 1.5 m, sinking current = 30 mA max.)

Mechanical specification

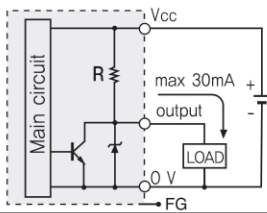
Model	HE40H(Ø40)	HE60H(Ø60)
Moment of inertia	4 X 10 ⁻³ N · m max	8 X 10 ⁻³ N · m max
Permissible shaft loading	4 X 10 ⁻⁶ kg · m ² max	9 X 10 ⁻⁶ kg · m ² max
Max permissible revolution	Radial : 30 N within, Thrust : 20 N within	Radial : 50 N within, Thrust : 30 N within
Bearing life	5000 r/min	

Environmental specification

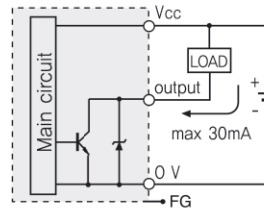
Model	HE40H (Ø40)	HE60H (Ø60)
Insulation resistance	100 MΩ min(Between the terminal and case 500 V DC mega standard)	
Dielectric strength	800 V AC (For 1 min in 60 Hz between the terminal and case)	
Vibration resistance	10 – 55 Hz (period for 1 min), Double amplitude : 1.5 mm, for 2 hour each in X, Y and Z directions	
Shock resistance	490 m/s ² max	735 m/s ² max
Ambient temperature	-10 ~ 70 °C (No icing allowed), When storing : -25 ~ 85 °C	
Ambient humidity	35 ~ 85 % RH	
Cable	5P, Ø5.0 mm, Length : 1.5 m, Shield cable (HE40H option : 2 m, 8 m, 10 m) (Line drive type : 8P, Ø5.0 mm, Length : 1.5 m, Shield cable)	
Accessory	Bracket	
Weight	Approx. 170 g	Approx. 300 g

Input/output circuit

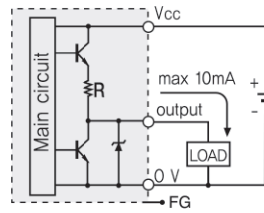
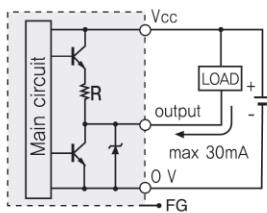
NPN voltage output



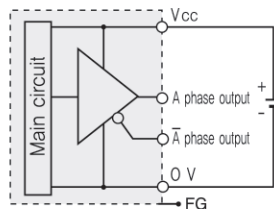
NPN open collector output



Totem Pole output



Line Driver output



※ For the output circuit, phases A, B and Z are same(Line drive output is A, \bar{A} , B, \bar{B} , Z, \bar{Z})

Output wave form

■ NPN voltage output, NPN open collector output, Totem pole output

Output	Clockwise(CW)	Counter clockwise(CCW)
OUT A		
OUT B		
OUT Z		

■ Line driver output

Output	Clockwise(CW)	Counter clockwise(CCW)
OUT A		
OUT \bar{A}		
OUT B		
OUT \bar{B}		
OUT Z		
OUT \bar{Z}		

*Clockwise (CW) : Turning in the clockwise direction when looking at from the shaft of the product.

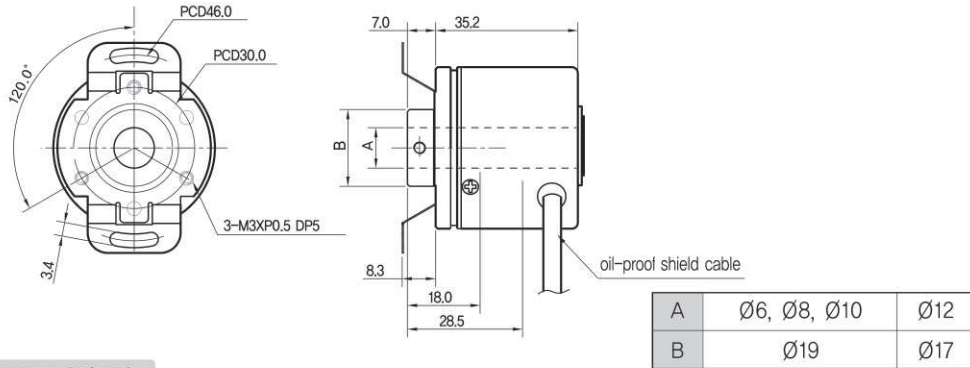
*Counter clockwise (CCW) : Turning in the counter clockwise direction when looking at from the shaft of the product.



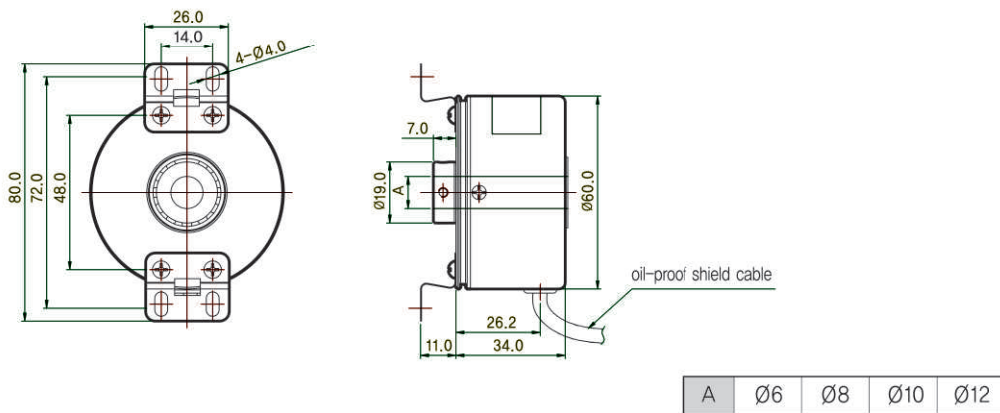
Rotary Encoder

Dimension (Unit : mm)

HE40H (Ø40)

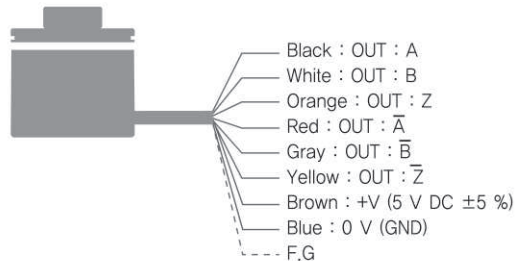
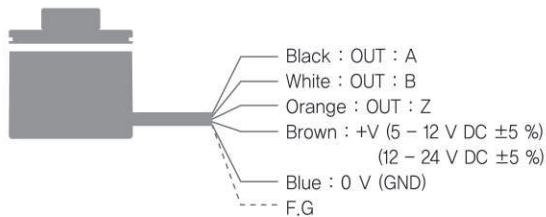


HE60H (Ø60)



Connection diagram

- Voltage output, Totem pole output, open collector output
- Line Driver output



- ※ Please insulate the wires that are not used
- ※ Metal case of encoder and shield line must be earthed (F,G)