

- ☆High Repetivity : 0.2% of F.S. Max.
- ☆Reset Time : 0.1S Max.
- ☆Setting Accuracy : 5 % of F.S. Max.
- ☆CE Approved : EMC , ESD & LVD
- ☆Guiding of Model :

MY - 10S - 2P - 220V

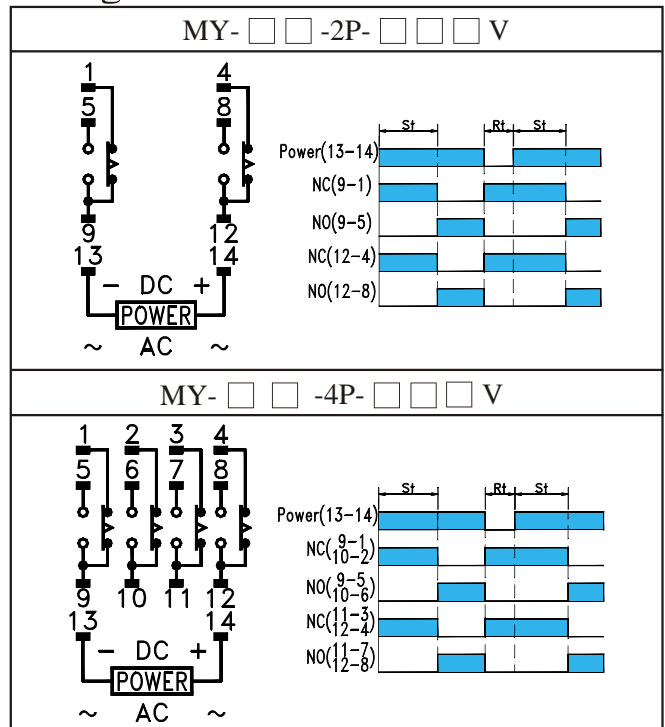
- ① ② ③ ④
- ① : Series
 - ② : Range
 - ③ : Contact Poles
 - ④ : Operating Voltage



Specification

MODEL	MY- □ □ - □ P- □ □ □ V
Range	1S/3S/6S/10S/30S 60S/3M/6M/10M/30M 60M/3H/6H/10H/30H
Power Supply	12 or 24 VDC 110V or 220VAC 50/60Hz
Wattage Consump.	3VA max.
Control Output	Relay
Contact Rated	7A/250VAC
Repetivity	0.2% of F.S max.
Setting Accuracy	5% of F.S max.
Reset Time	0.1S max.
Insulation Strength	100MΩ/500VDC
Dielectric Strength	2.5KV/1 min.
Circumstance	-20° ~ +60°C, 35~85%RH
Life of Relay	20 X 10 ⁶ Times

Connection & Timing Chart



Dimension

