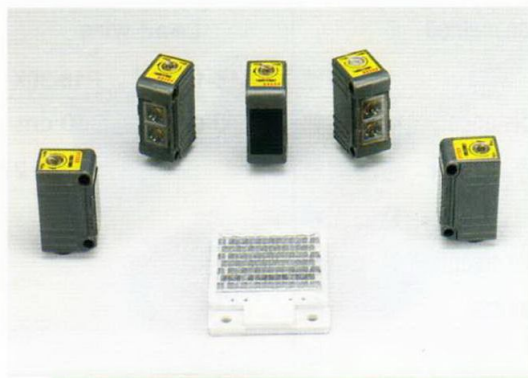


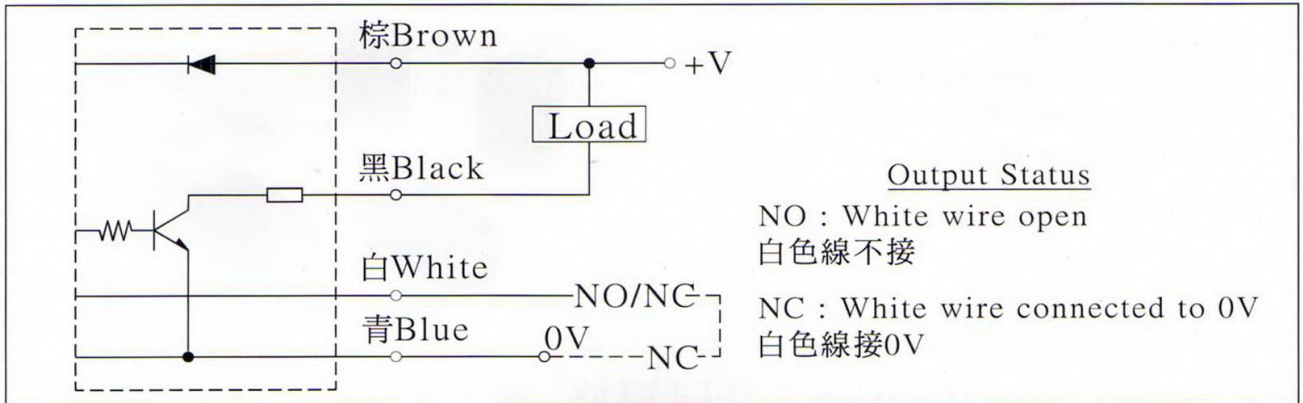
- Solid compact structure :
12x30x17 (WxHxD mm)
- Protection class : IP-66
- Output status NO / NC changeable
- Polarized mirror reflex type available
- Transparent object detectable



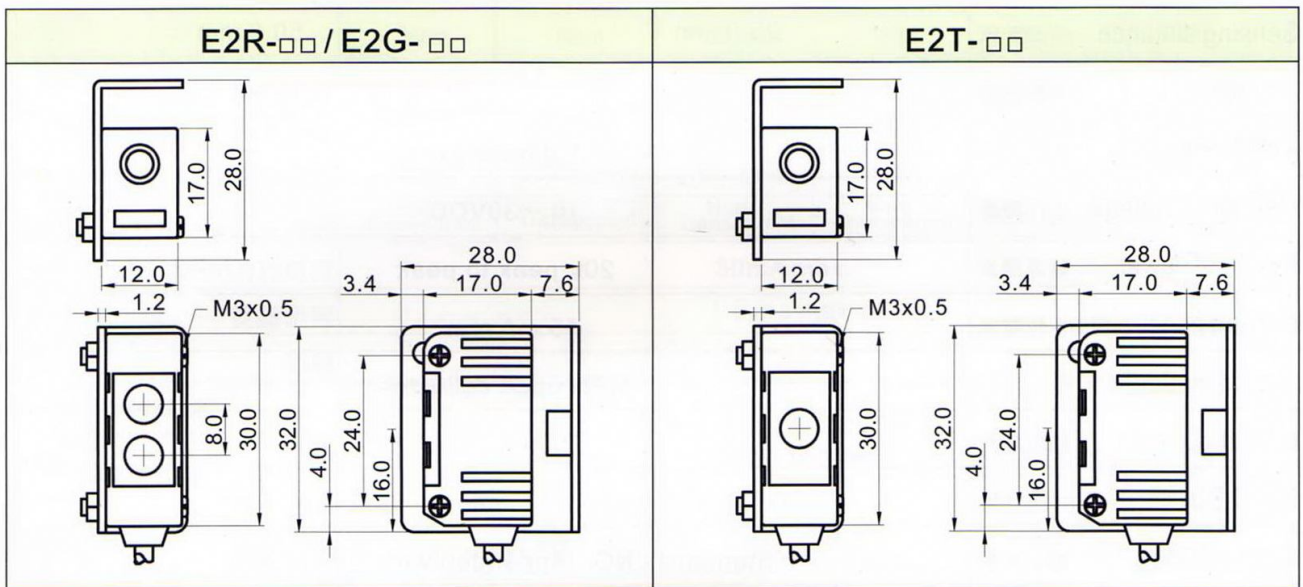
◆ General Specification / 共同規格

Type	Diffuse Reflex		Mirror Reflex			Thru Beam
Model	E2R-10N	E2R-30N	E2G-2MN	E2G-1MRE	E2G-1MG	E2T-4MN
Sensing distance	10cm	30cm	2.0m	1.2m	1.2m	6.0m
Emitter	Infrared LED		Red LED		Green LED	Infrared LED
Current consumption 耗電流	30 mA max.		25 mA max.			40 mA max.
Response time 應答時間	1 ms max.					
Operating voltage 工作電壓	10 ~ 30VDC					
Ripple of power 電源漣波	20% peak to peak					
Output method 輸出方式	NPN NO/NC changeable					
Output current 輸出電流	150mA max.					
Residual voltage 殘留電壓	0.1V max.					
Leakage current 洩露電流	0.8mA max.					
Protection circuit 保護電路	Short circuit & polarity reversed protection					
Housing material 外殼材質	Intensive PBT					
Illumination 耐外亂光	Lamp light < 10,000Lux ; Sunlight < 20,000Lux					
Noise resistance 抗干擾	2kv/1μs					
Dielectric strength 電介強度	2.5kv / 1 minute min.					
Insulation strength 絕緣強度	100 MΩ / 500vdc					
Operating circum. 工作環境	-25°C ~ +80°C ; 35% ~ 85% RH					
Protection class 保護等級	IP-66					
Approval 認證	CE Rohs					

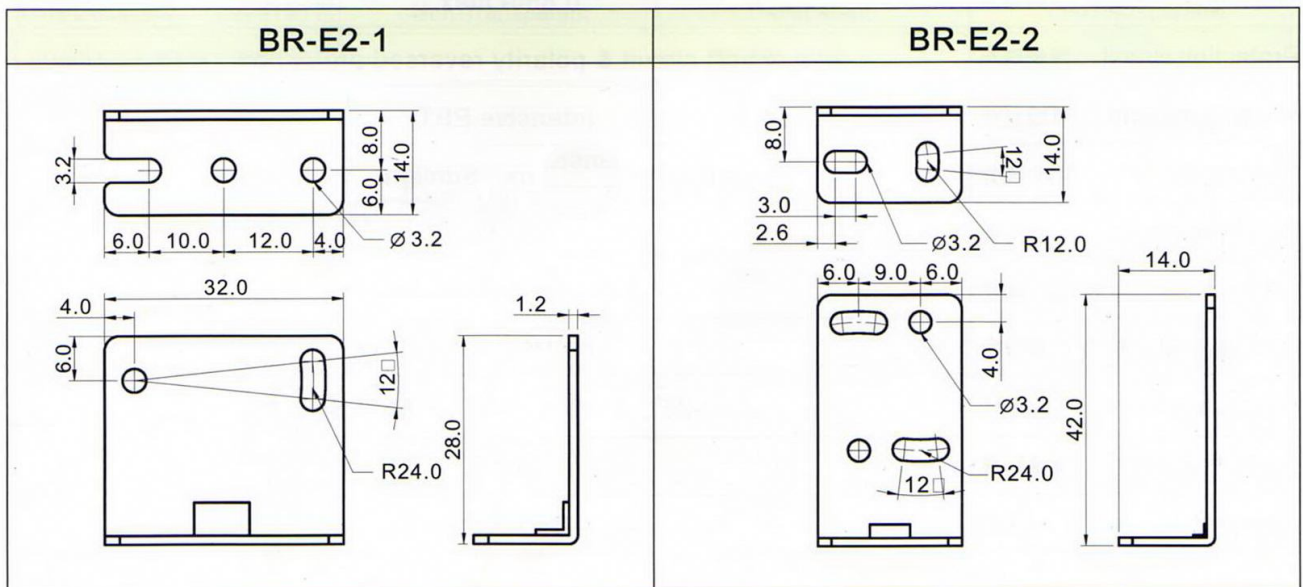
◆ Output circuit & Connection diagram / 輸出回路及接線圖



◆ Dimension / 外形尺寸圖



◆ Fixed bracket / 固定架



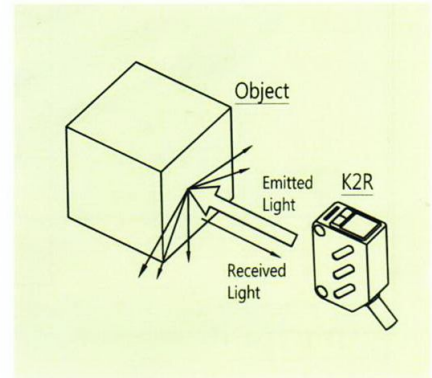
◆ Notice of use / 使用注意事項：

Reflex type / 直接反射型

感測器的發射晶體與接收晶體在同一側，依「被檢測物」反射光強弱或有無來檢測有無「被檢測物」。
A sensor contains both the emitter and the receiver in one housing, It detects the object by the reflected light from the object

Notice of use / 使用注意事項：

1. The size of the detected object / 「被檢測物」的大小
2. The outline of the detected object / 「被檢測物」的形狀
3. The transparency of the detected object / 「被檢測物」的透明度
4. The surface color of the detected object / 「被檢測物」的表面顏色
5. The passing speed of the detected object / 「被檢測物」的通過速度
6. The surface roughness of the detected object / 「被檢測物」的表面粗糙度
7. The space between the detected object and the background / 安裝空間有無背景物
8. The space between the detected object and the detected object / 「被檢測物」連續移動的間隔

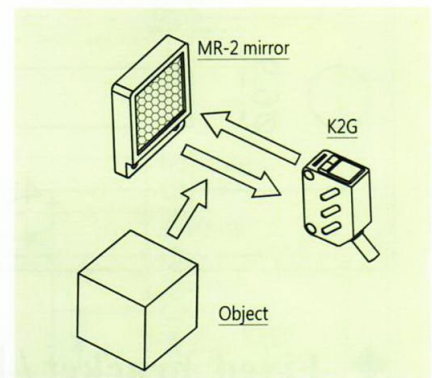


Mirror Reflex type / 鏡片反射型

感測器的發射晶體與接收晶體在同一側，須在感測器對面安裝反射鏡片；當「被檢測物」通過感測器時會遮斷光束即可檢測有無「被檢測物」。
A sensor contains both an emitter and a receiver in one housing and set a mirror on opposed side, It detects the object by the detected object interrupting the beam.

Notice of use / 使用注意事項：

1. The size of the detected object / 「被檢測物」的大小
2. The outline of the detected object / 「被檢測物」的形狀
3. The transparency of the detected object / 「被檢測物」的透明度
4. The shiny surface of the detected object / 「被檢測物」的表面亮度
5. The passing speed of the detected object / 「被檢測物」的通過速度
6. The space between the detected object and the detected object / 「被檢測物」連續移動的間隔

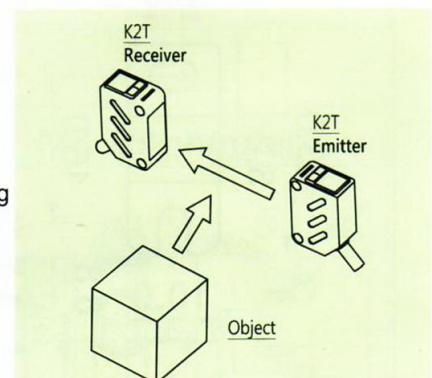


Thru Beam type / 透過型

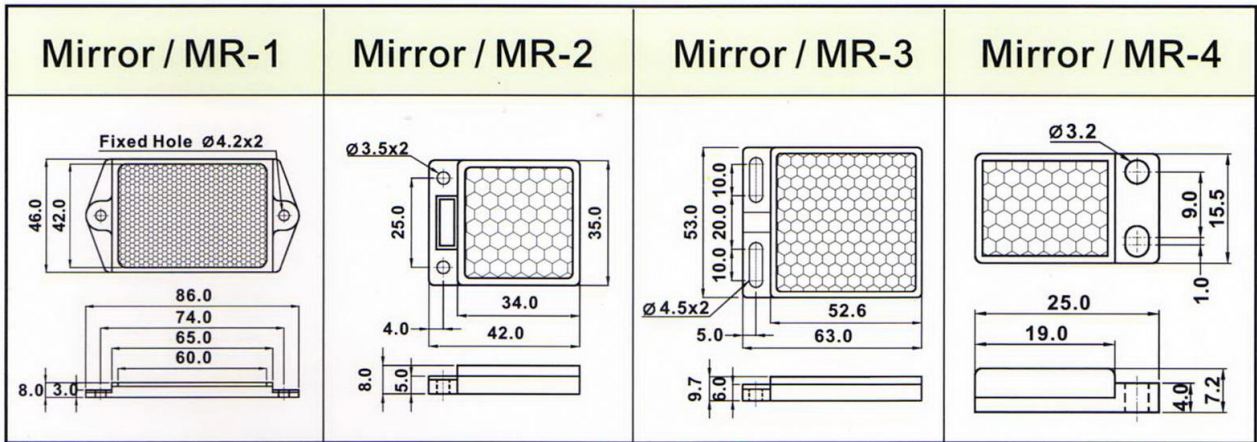
感測器分成發射器與接收器相對安裝；當「被檢測物」通過感測器時會遮斷光束即可檢測有無「被檢測物」。
A sensor is separated to an emitter and a receiver that are positioned opposite each other, It detects the object by the detected object interrupting the beam.

Notice of use / 使用注意事項：

1. The size of the detected object / 「被檢測物」的大小
2. The outline of the detected object / 「被檢測物」的形狀
3. The transparency of the detected object / 「被檢測物」的透明度
4. The passing speed of the detected object / 「被檢測物」的通過速度
5. The space between the detected object and the detected object / 「被檢測物」連續移動的間隔



◆ Mirror/反射鏡片



◆ Connection cable

