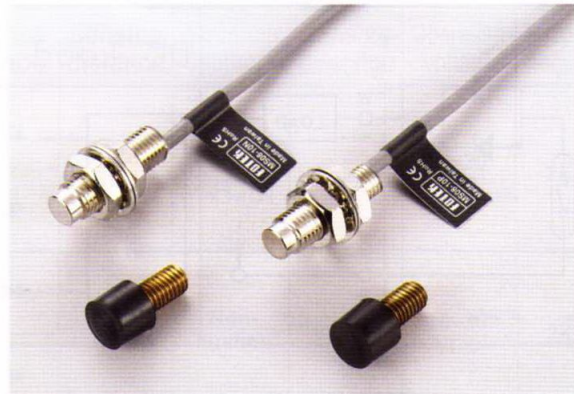


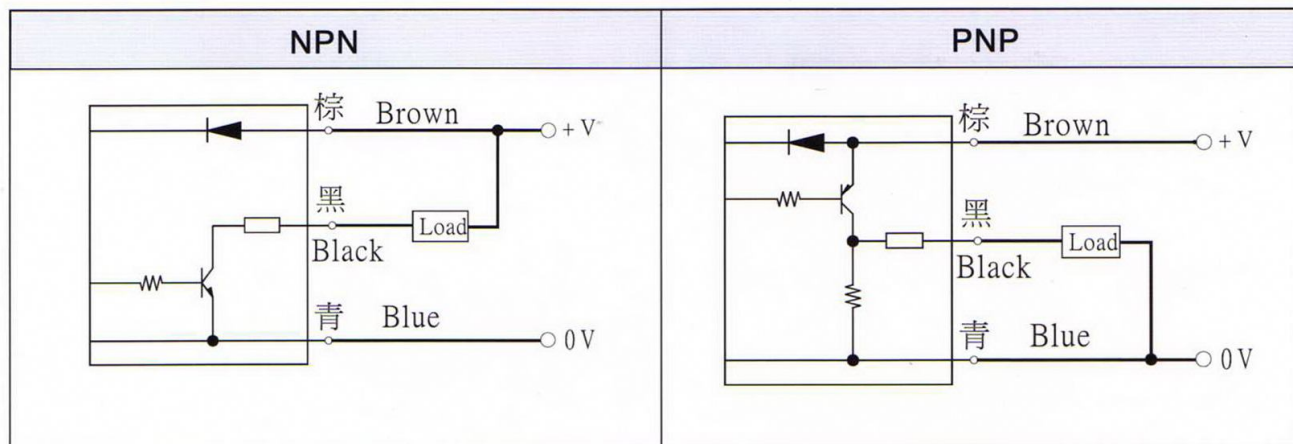
- ❖ High compact structure  
堅固結構
- ❖ High reliability with protection circuit  
高可靠度附保護回路
- ❖ Solid state output : 150 mA max.  
無接點輸出 : 150 mA max.
- ❖ High response frequency : 1.2K Hz  
高速響應頻率 : 1.2K Hz



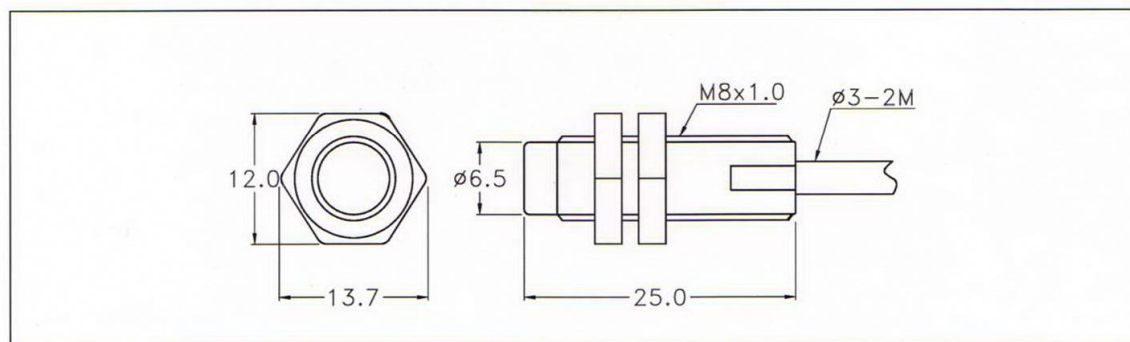
## ◆ Specification / 規格

Model	MS08-10N	MS08-10P
Output method	NPN	PNP
Sensing distance 感應距離	8 ~ 12 mm (with MS-M6)	
Response frequency 響應頻率	1.2 K Hz min.	
Operating voltage 工作電壓	10 ~ 30 VDC	
Power ripple 電源漣波	20% of Vp-p max.	
Output current 輸出電流	150mA max.	
Current consumption 消耗電流	10mA max.	
Residual voltage 殘留電壓	0.8V max.	
Leakage current 洩漏電流	0.1mA	
Hysteresis 應差	20% of sensing distance max.	
Thermal drift 溫度漂移	20 $\mu$ m / $^{\circ}$ C max.	
Voltage drift 電壓漂移	2.0 $\mu$ m / V max.	
Protection circuit 保護回路	Short-circuit & Polarity reversed protection	
Operating Temperature 工作溫度	- 25 $^{\circ}$ C ~ +80 $^{\circ}$ C	
Operating humidity 工作濕度	35% ~ 95% RH	
Protection class 保護等級	IP - 67	

◆ Output circuit & connection diagram / 輸出回路及接線圖



◆ Outline dimension / 外形尺寸



◆ Magnet / 磁鐵

