


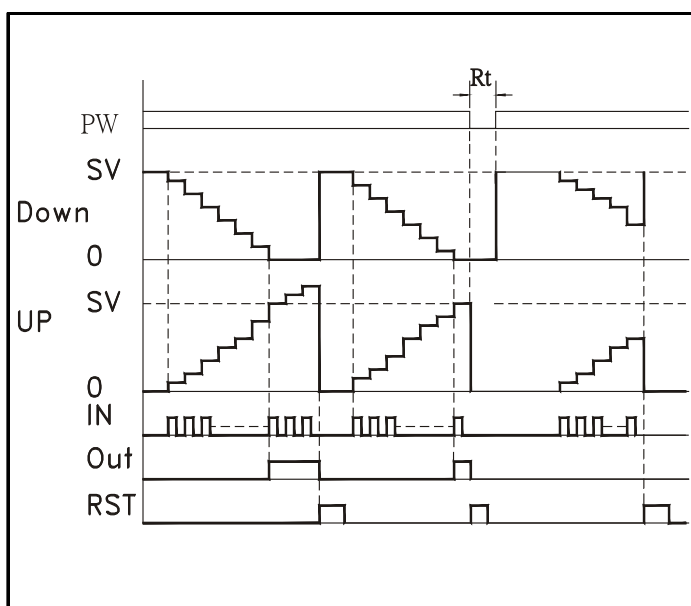


Digits	2 Digits	3 Digits	4 Digits
Model	SK-2D	SK-3D	SK-4D
Figure			
Range	0~99	0~999	0~9999
Display	0.56" 7-Segment LED	0.56" 7-Segment LED	0.4" 7-Segment LED
Weight	150g	155g	160g

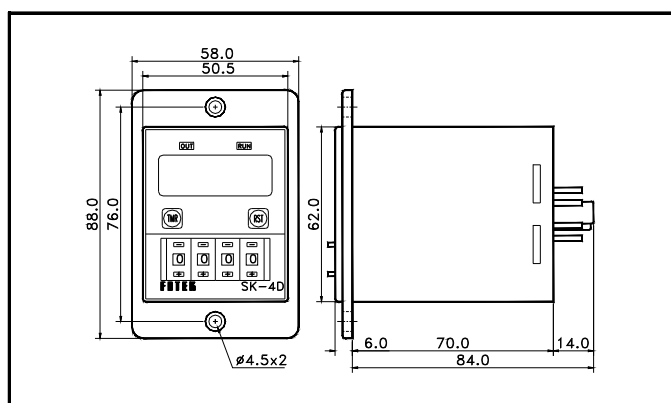
Specification

Power Supply	90~250 VAC 50/60 Hz
Wattage	5VA max.
Counting Method	UP or Down Counting
Response Frequency	30Hz
Count Input	Hi > 6V, Lo < 2V
Reset Input	Hi > 6V, Lo < 2V
Output Method	Relay
Output Control	Power ON Reset
Reset Time	0.1S max
Decimal Point	0, 1 or 2 Selectable
Insulation Strength	100 M Ω / 500 VDC
Dielectric Strength	2.5K / 1 min.
Circumstance	-20° ~ +60°C, 35 ~ 85% RH

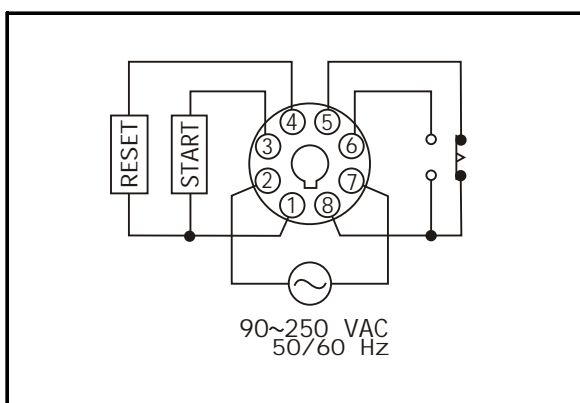
Output Timing Chart



Dimension



Connection Diagram



Ps.N Type Available Aiso