



DAE SUNG E.N.G

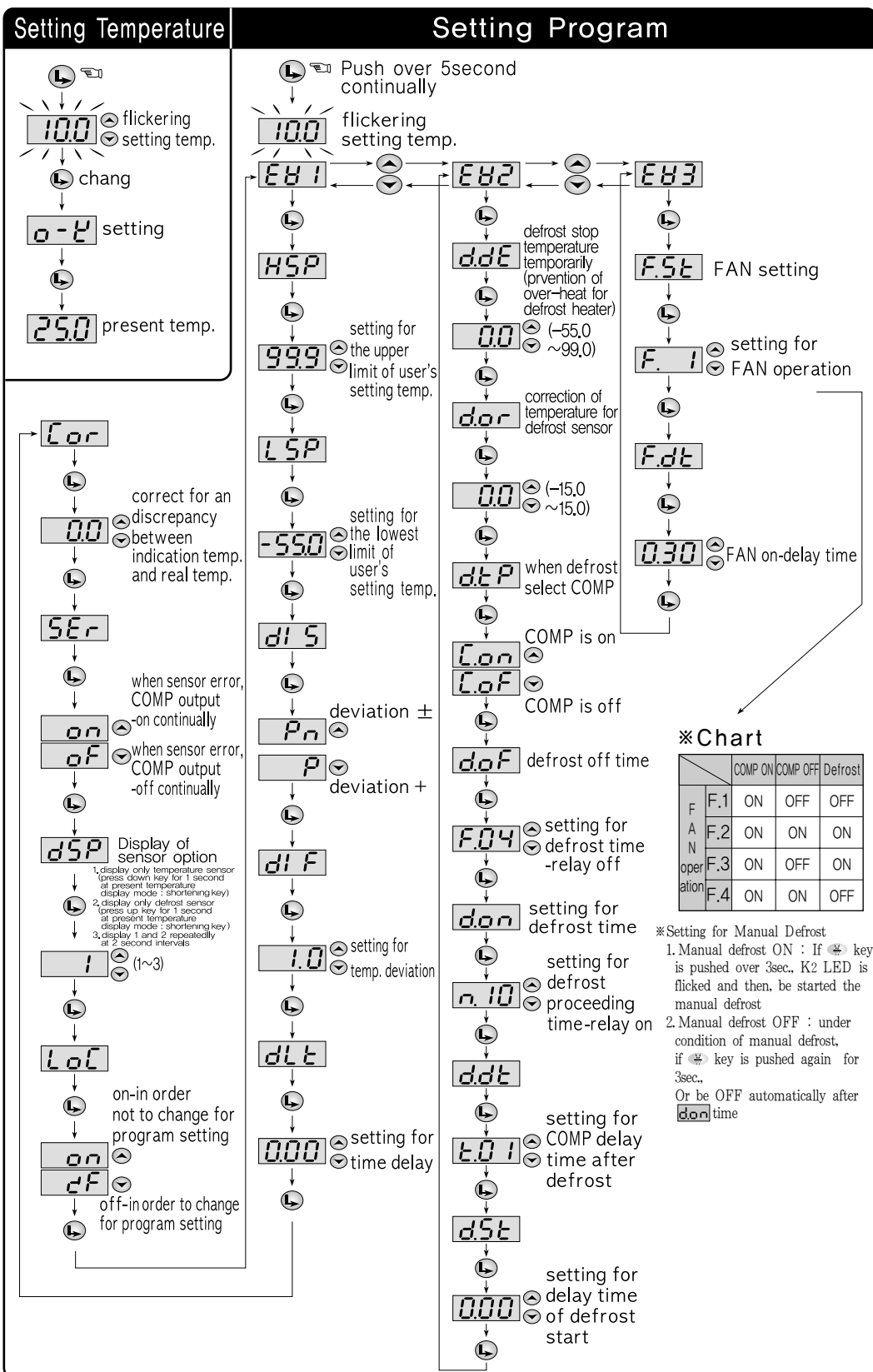
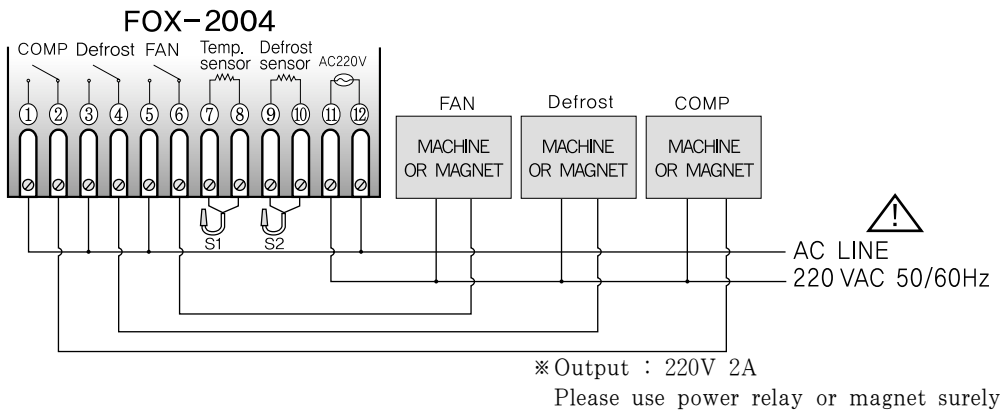
Digital Control Panel Meter
www.foxeng.co.kr



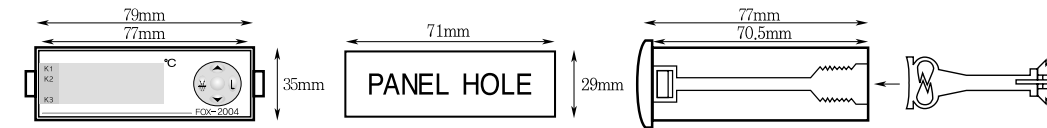
DAE SUNG E.N.G

FOX-2004

■ Connection



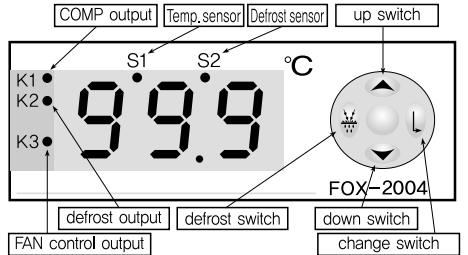
3. Dimension



Explanatory for auto. Temp. controller

MODEL	SENSOR	Temp. range	Function
FOX-2004	NTC : 2 EA	-55.0°C ~ +99.9°C	COMP/defrost/FAN

1. Part name



2. Change of User Mode & Setting for Installer Mode Function

● Change of User Mode

When key is pushed, setting temperature is flicked.

Push key to change the setting value.

If key is pushed again, letter is indicated and setting temperature is remembered.

● Setting for Installer Mode Function

If key is pushed over 5 second, E81 or E82 or E83 letter is indicated and push key to change the E81, E82, E83

As E81 is indicated, set in the following order: HSP(setting for the upper limit of User's setting temp.), LSP(setting for the lowest limit of User's setting temp.), DIS(select for deviation style), DIF(setting for temp. deviation), DLT(time delay), COR(correct for an discrepancy between indication temp. and real temp.), SER(sensor error, ON-COMP output continually on, OF-COMP output continually off), DSP(display of sensor option), LOC(lock function, ON-setting for lock function, OF-removal for lock function) As E82 is indicated, set in the following order: D.DE(defrost stop temperature temporarily), D.OR(correction of temperature for defrost sensor), D.TP(when defrost, select COMP:ON-COMP is on, OF-COMP is off), D.OF(defrost stop time), D.ON(defrost time), D.DT(after defrost, setting for COMP output delay time), D.ST(setting for delay time of defrost start)

As E83 is indicated, set in the following order: F.ST(setting for FAN, refer to left chart), F.DT(FAN ON-delay time) and setting value each mode should be changed by pressing key and then press key to move to next mode.

Setting temp.	Function	Indication	Range	Setting value when deliver	Remarks
Temp. setting	Temp. setting		-55.0 ~ 99.9	10.0	
Setting Program	Setting for the upper limit of user's setting temp.	HSP	LSP ~ 99.9	99.9	
	Setting for the lowest limit of user's setting temp.	LSP	-55.0 ~ HSP	-55.0	
	Select for deviation style	DIS	P/PN	P	PN - deviation ± P - deviation +
	Select for temp. deviation	DIF	0.1 ~ 19.9	1.0	
	Setting for time delay	DLT	0.00 ~ 9.59	0.00	(min., sec.)
	Correct for an discrepancy between indication temp. and real temp.	COR	-15.0 ~ 15.0		
	Sensor error	SER	ON/OFF	OF	ON-COMP output-on continually OF-COMP output-off continually
	Display of sensor option	DSP	1 ~ 3	1	1. display only temperature sensor 2. display only defrost sensor 3. display 1 and 2 repeatedly at 2 second intervals
	Lock function	LOC	ON/OFF	OF	ON - setting for lock function OF - removal for lock function
	Defrost stop temperature temporarily	DDE	-55.0 ~ 99.0	0.0	prevention of over-heat for defrost heater
Correction of temperature for defrost sensor	dor	-15.0 ~ 15.0	0.0		
when defrost, select COMP	dtP	C.ON/C.OF	C.OF	C.ON - when defrost, COMP is on C.OF - when defrost, COMP is off	
Defrost off(stop)time	dof	F.01 ~ F.48hour	D.04		
Defrost time	don	N.01 ~ 99min.	N.10		
Setting for COMP delay time after defrost	ddt	0.00 ~ 30min.	T.01		
Setting for delay time of defrost start	dSt	0.00 ~ 9.59sec.	0.00		
E83	Fan setting	FSt	F.1 ~ F.4	F.1	* Refer to left chart
	Fan on-delay time	Fdt	0.00 ~ 9.59sec.	0.30	

4. Caution

- Warning**
- Pls use this item after set up safety device doubly in which is applied at dangerous equipment such as serious human injury or serious damages property & important machine because this item is not designed as safety device.
- Caution**
- Do not distributing wires or install the device for the occurrence of an induction load of motor solenoid.
 - Please use shield wire when sensor lengthen, however do not make it too much longer.
 - Please do not use the components which is occurring arks when on/off near it or same power.
 - Power cable keeps away from high-voltage cable and do not install the device where water, on and dust.
 - Do not install the device from direct rays of the sun & exposed a site due to rain.
 - Do not install the device from strong magnet & noise vibration or shock.
 - Please install the device from a great distance out of places occurring strong-alkali or strong-acidity.
 - Do not sprinkle water for clean purpose when installing in the kitchen.
 - Do not install the device from the places where Temp./Humi. exceed regular power.
 - Please use the sensor wire without any cutting & flawing.
 - Do not install the sensor wire nearby signal wire power or load and Please use self-pipe.
 - Please understand you can't get any A/S service when you open or re-model it with free.
 - is the safety letter like warning, caution.
 - Please do not use the device close by which occurring strong high-frequency noise (high-frequency: welding, sewing machine, wireless transmitter, SCR controller for high capacity)
 - Please use this item proper method without any damage or injury.

Danger

- Caution, Danger of electric shock
- Electric shock - Do not touch AC board during on power because of electric shock.
 - Please intercept input power surely when input power check.

The way of diagnosis for breakdown

- Indicating ERROR on using items
- This E-1 is the damage of memory data for various of inner-Data due to be get noised strongly from outside while using this items. Please request us A/S by return. Although our controller is designed as the complementary measures regarding these noise from outside, it is not endurable against these noise with endlessly.
 - If noise (2kv) disordering become an inflow, the inner-part will be damaged.
 - E1 ⇒ Display of an open error for temperature sensor.
 - E2 ⇒ Display of an open error for defrost sensor.
 - SE1 ⇒ Display of an short error for temperature sensor.
 - SE2 ⇒ Display of an short error for defrost sensor.
 - HH1 ⇒ Temperature sensor : error display → exceed the limit for temperature display.
 - HH2 ⇒ Defrost sensor : error display → exceed the limit for temperature display.
 - LL1 ⇒ Temperature sensor : error display → below the limit for temperature display.
 - LL2 ⇒ Defrost sensor : error display → below the limit for temperature display.

* Above Products information can be changed to improve it's quality without any notification
When this products use, pls observe the information of caution & Warning due to give rise to disordering.

■ H. Office : B-112, Techno plaza 681-11 Junpo 1 dong, Busanjin-ku, Busan, Korea
Factory : B-408, 409, 410 Techno plaza 681-11 Junpo 1 dong, Busanjin-ku, Busan, Korea
A/S TEL : 82+51+819+0427 FAX : 82+51+819+4562
E-mail : foxeng@foxeng.co.kr
Homepage : http://www.foxeng.co.kr

* This device works proper operation with:
Surrounding Temp. : 0°C ~ 55°C
Surrounding Humi. : below 80%RH
Regular power : 220VAC