



DAE SUNG ENG

Digital Control Panel Meter
www.foxeng.co.kr

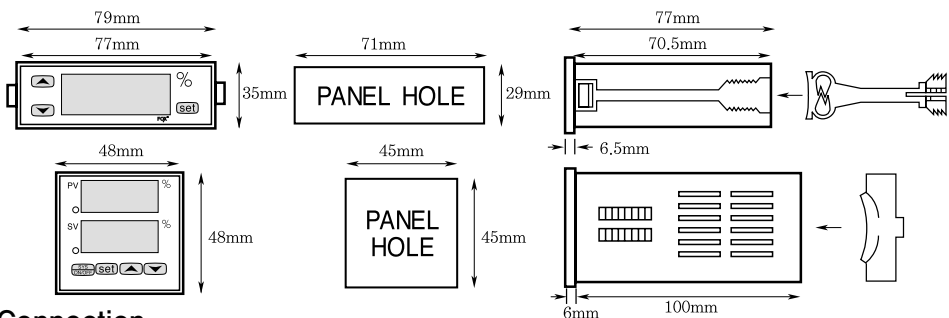


FOX-1H

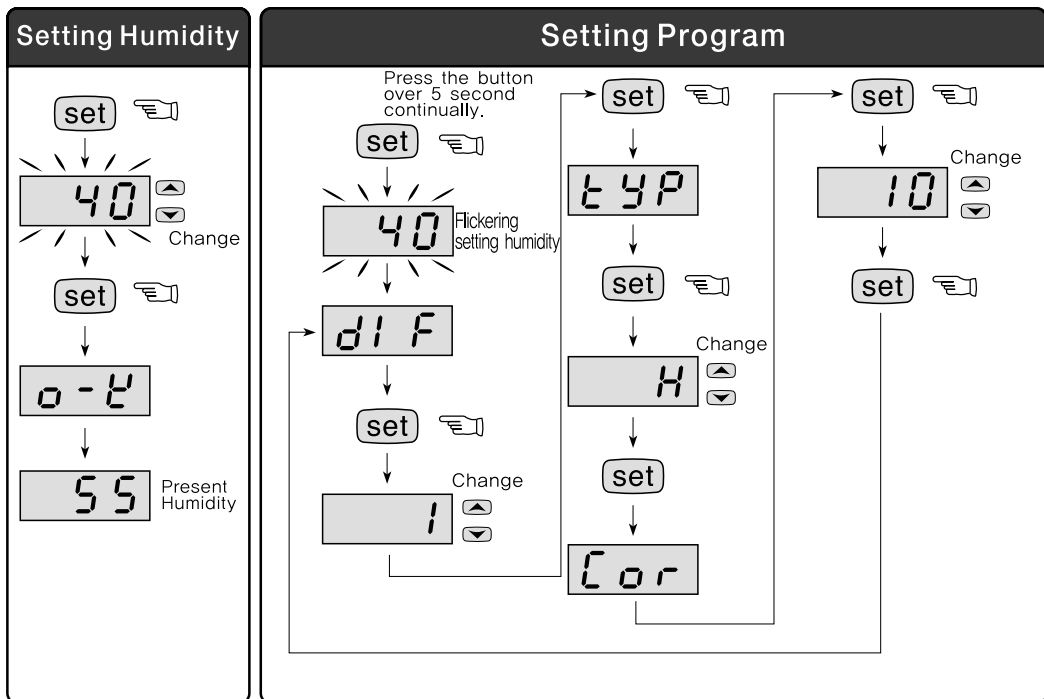
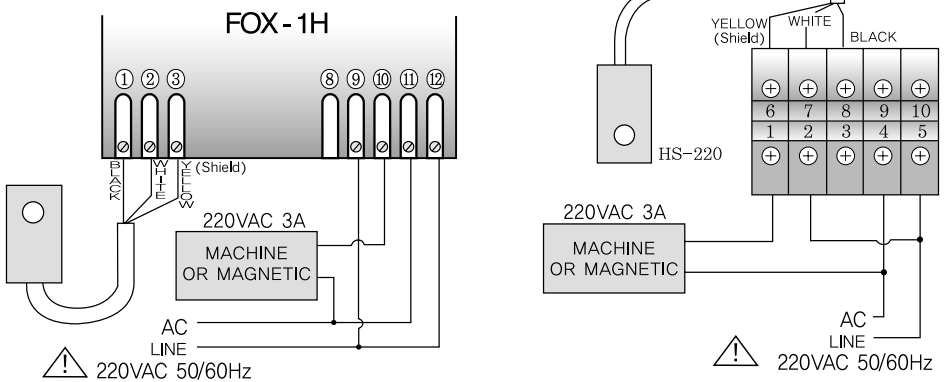


FOX-1H4

3.Dimension



4.Connection

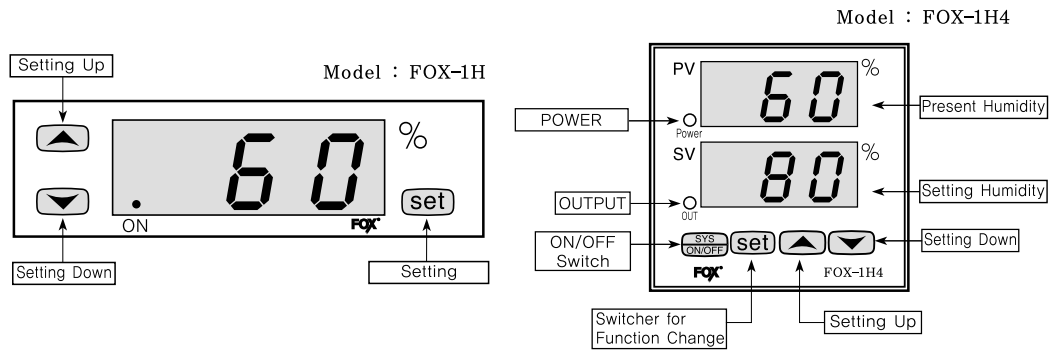


HUMIDITY CONTROLLER

MODEL	HUMIDITY RANGE	SENSOR TYPY
FOX-1H	20%RH ~ 99%RH	HS-220
FOX-1H4	20%RH ~ 99%RH	HS-220

* Thank you for selecting our products. Please read carefully this instruction to reduce any damages or operation mistakes.

1. Part name



2. Change of User Mode / Setting for Installer Mode Function

- **Change of User Mode**
If **[set]** key is pushed, setting humidity is flicked.
Push **[▲ ▼]** key to change the setting value.
If **[set]** key is pushed again, **[o-E]** letter is indicated and setting value is remembered and present humidity is indicated.
- **Setting for Installer Mode Function**
If **[set]** key is pushed over 5 second, set in the following order :
DIF(Humidity. Deviation) → TYP(Select Type) → COR(Correct Humidity) and setting value each mode should changed by pressing **[▲ ▼]** key and then press **SET** key to move next mode.
If **[set]** key push again for 5 sec, setting value is remembered.

MODEL		FOX-1H	FOX-1H4
<i>dif</i>	Humidity Deviation	±1%~±9%	±1%~±9%
<i>tYP</i>	Dehu / Humi	d / H	d / H
<i>Cor</i>	Correct the current Humidity error	±10%	±10%

5. CAUTION

Warning

Pls use this item after set up safety device doubly in which is applied at dangerous equipment such as serious human injury or serious damages of property & important machine because this item is not designed as safety device.

Caution

- Do not distributing wires or install the device for the occurrence of an induction load of motor, solenoid.
- Please use shield wire when sensor lengthen. however, do not make it too much longer.
- Please do not use the components which is occurring arks when on/off near it or same power.
- Power cable keeps away from high-voltage cable and do not install the device where water, on and dust.
- Do not install the device from direct rays of the sun & exposed a site due to rain.
- Do not install the device from strong magnet & noise, vibration or shock.
- Please install the device from a great distance out of places occurring strong-alkali or strong-acidity.
- Do not sprinkle water for clean purpose when installing in the kitchen.
- Do not install the device from the places where Temp./Humi. exceed regular power.
- Please use the sensor wire without any cutting & flawing.
- Do not install the sensor wire nearby signal wire, power or load and please use self-pipe.
- Please understand you can't get any A/S service when you open or re-model it with free.
- ⚠ is the safety letter like warning, caution.
- Please do not use the device close by which occurring strong high-frequency noise (high-frequency, welding, sewing machine, wireless transmitter, SCR controller for high capacity)
- Please use this item proper method without any damage or injury.

Danger

- **Caution, Danger of electric shock**
 - Electric shock - Do not touch AC board during on power because of electric shock.
 - Please intercept input power surely when input power check.

The way of diagnosis for breakdown

- **Indicating ERROR on using items**
 - This **Err** is the damage of memory data for various of inner-data due to be get noised strongly from outside while using this items. Please request us A/S by return. Although our controller is designed as the complementary measures regarding these noise from outside, it is not endurable against these noise with endlessly.
If noise (2kv) disordering become an inflow, the inner-part will be damaged.
 - When shows these letter **o-E** (open error) **S-E** (short error) **Err** (error), error in sensor. Pls check sensor.

* Above Products information can be changed to improve it's quality without any notification
When this products use, pls observe the information of caution & Warning due to give rise to disordering.

■ H. Office : B-112, Techno plaza 681-11 Junpo 1 dong, Busanjin-ku, Busan, Korea
Factory : B-409, Techno plaza 681-11 Junpo 1 dong, Busanjin-ku, Busan, Korea
A/S TEL : 82+51+819+0427 FAX : 82+51+819+4562
E - mail : foxeng@foxeng.co.kr
Homepage : http://www.foxeng.co.kr

*This device works proper operation with:
Surrounding Temp. : 0°C~60°C
Surrounding Humi. : below 80%RH
Regular power : 220VAC