

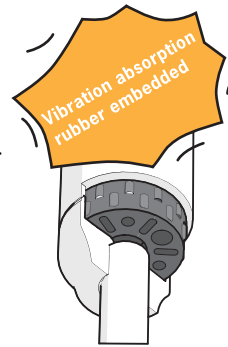
# PME Series D45mm LED Tower Light



The PME Series features low maintenance and energy efficiency using the latest in LED technology

## Product Features

- Menics Exclusive Hybrid Prism Cut Lens.
- Original Dual Reflection System
- Installation: Direct or pole mount.
- Color-coordinated Wiring : Corresponds to the lens colors for quick wiring verification.
- Interchangeable LED Modules : No re-wiring even after installation.
- Main Body: ABS resin with superior resistance to impact and heat
- Lens: Superior impact resistant and light translucent PC resin.
- Available Colors: Red, Yellow, Green, Blue, Clear
- High visibility from any angle.
- This product conforms to the CE requirements and shows the CE Marking.
- This product complies with the RoHS Directive.



## General Specifications

|                       |   |
|-----------------------|---|
| Size                  | 45mm diameter   |
| Input Voltage Options | 12V AC/DC<br>24V AC/DC<br>90 ~ 240V AC, 50/60Hz                                   |
| Tiers                 | 1 ~ 5 modules can be stacked  |
| Functions Available   | Continuous , Flashing , Buzzer  |
| Flash Rate            | 80 times/minute (±10%)  |
| Buzzel Sound Level    | 80±5dB at 1m - (12V, 24V only possible)   |
| LED Module Colors     | Red / Yellow / Green / Blue / Clear   |
| Ambient Temperature   | -15 to 40°C (no freezing)   |
| Storage Temperature   | -20 to 70°C (no freezing)   |
| Operating Humidity    | 45 to 85% RH (no condensation)  |
| Insulation Resistance | 100MΩ minimum (500V DC megger)  |
| Vibration Resistance  | Operating extremes: 10 to 55Hz, amplitude 0.75mm                                  |
| Material              | Body: ABS resin    Lens: PC resin<br>Pole: Aluminum    Pole Mount base: ABS resin |
| Mounting Options      | - Pole mount: with 205mm Aluminum pole, Mount base<br>- Direct mount              |
| Protection            | CE , RoHS   |
| Degree of Protection  | IP52  |
| Wire                  | UL1007 / 22AWG  |

## Functional Specifications

| LED Color Code | R (red), Y (yellow), G (green), B (blue), C (Clear) |      |        |       |      |       |
|----------------|---|------|--------|-------|------|-------|
| 12V            | Illumination Color                                  | Red  | Yellow | Green | Blue | Clear |
|                | Rated Current (per tier)                            | 41mA | 60mA   | 48mA  | 55mA | 36mA  |
| 24V            | Illumination Color                                  | Red  | Yellow | Green | Blue | Clear |
|                | Rated Current (per tier)                            | 27mA | 30mA   |       |      |       |
| 90~240V        | Illumination Color                                  | Red  | Yellow | Green | Blue | Clear |
|                | Rated Current (per tier)                            | 20mA | 25mA   |       |      |       |
| Flashing Cycle | Approx. 80 flashes per minute                       |      |        |       |      |       |

Note: Life of the LED varies according to operating conditions and environment.

## Ordering Information

**PME G F - 302 - RYG**



### 1. Mounting Style

|          |  |
|----------|--|
| <b>G</b> | Direct plastic mount base                      |
| <b>P</b> | Pole + Plastic mount base                      |
| <b>M</b> | Pole + Plastic M20 screw mount base (MAM-B025) |

### 2. Light Style

|          |                            |
|----------|----------------------------|
|          | Steady Light               |
| <b>F</b> | Steady + Flashing Light    |
| <b>B</b> | Steady + Buzzer            |
| <b>Z</b> | Steady + Flashing + Buzzer |

### 3. Number of Stacks

|          |          |          |          |
|----------|----------|----------|----------|
| <b>1</b> | 1 Light  | <b>4</b> | 4 Lights |
| <b>2</b> | 2 Lights | <b>5</b> | 5 Lights |
| <b>3</b> | 3 Lights |          |          |

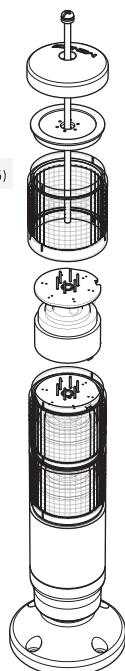
### 4. Power Supply

|           |           |           |            |
|-----------|-----------|-----------|------------|
| <b>01</b> | 12V AC/DC | <b>FF</b> | 90~240V AC |
| <b>02</b> | 24V AC/DC |           |            |

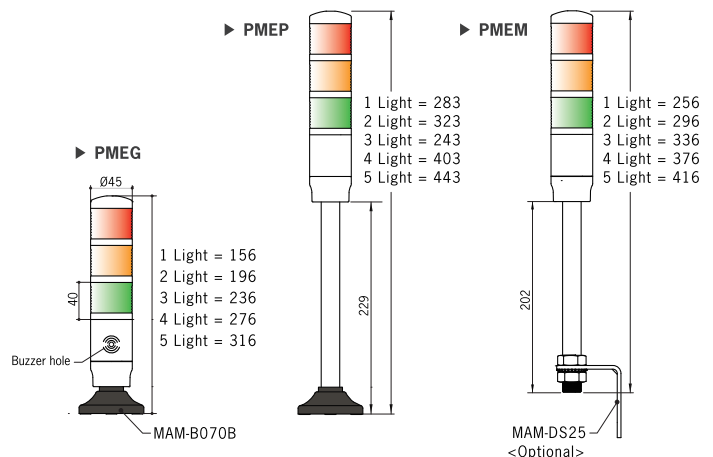
### 5. Colors

|          |        |          |       |
|----------|--------|----------|-------|
| <b>R</b> | Red    | <b>B</b> | Blue  |
| <b>Y</b> | Yellow | <b>C</b> | Clear |
| <b>G</b> | Green  |          |       |

Note: Specify illumination color from the top tier.



## Dimensions (Unit:mm)

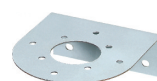


## Wiring diagram

Note: See page 11 for wiring diagram

## Optional Parts

### Wall Mounting Bracket



**MAM-DS28**  
Steel



**MAM-DS25**  
Steel



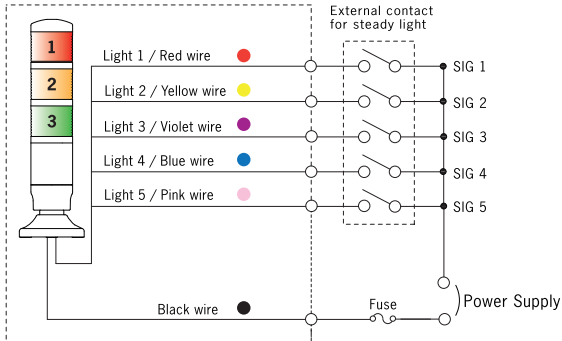
**MAP-DS30**  
Plastic

See Page 35 ~ 37  
for Mounting Options and Accessories.

# PME, MP8, ML8 Series Wiring Diagram

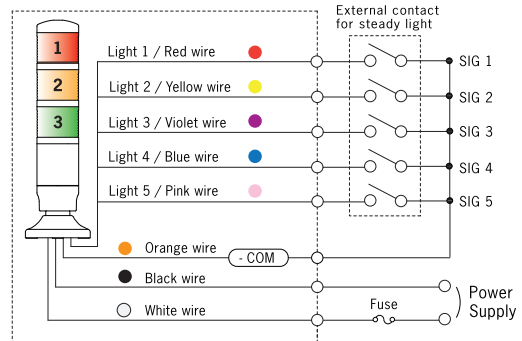
## ▶ Steady Lights

12V AC/DC  
24V AC/DC



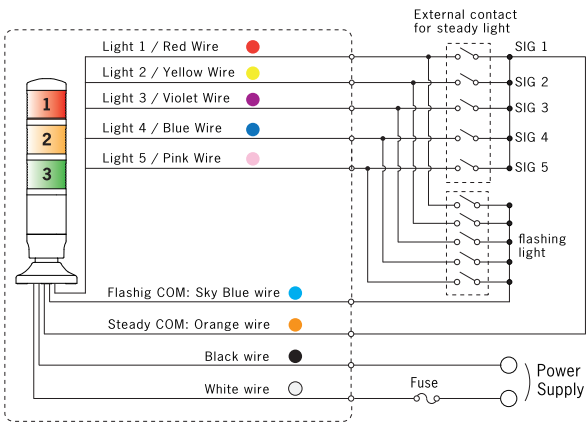
\* No polarity for DC applications.

90~240V AC



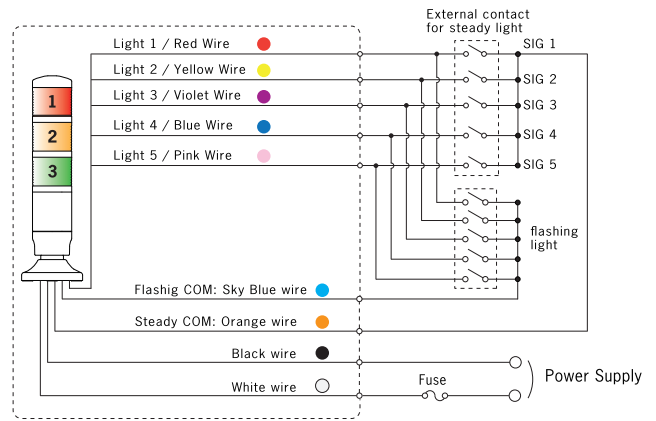
## ▶ Steady & Flashing Lights

12V AC/DC



\* No polarity for DC applications.

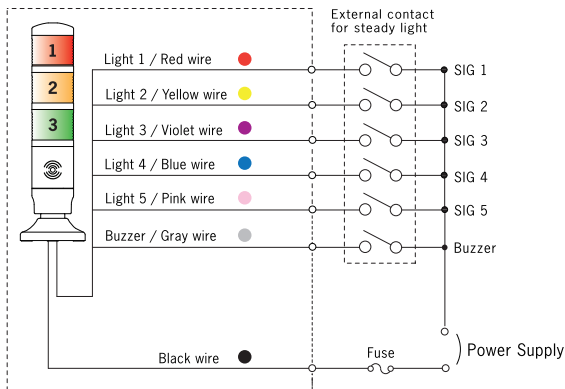
24V AC/DC  
90~240V AC



\* No polarity for DC applications. \* No polarity for DC applications.

## ▶ Steady Lights (with Buzzer)

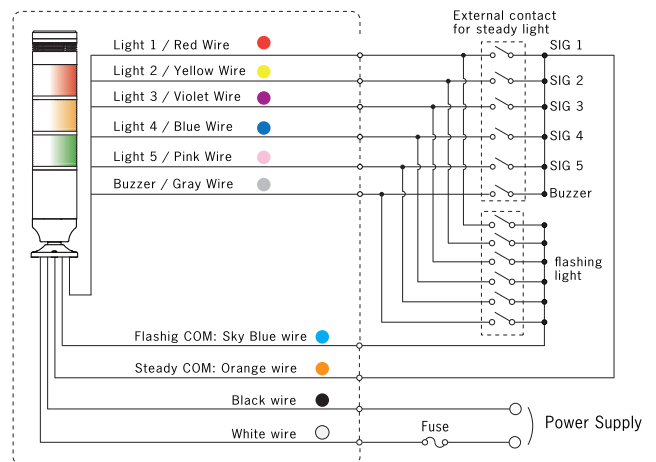
12V AC/DC  
24V AC/DC



\* No polarity for DC applications.

## ▶ Steady & Flashing Lights (with Buzzer)

12V, 24V AC/DC  
90~240V AC



\* No polarity for DC applications.

