

MT5C/8C Series D56/D86mm Bulb Type Tower Light



Multi-layer tower light that features an outstanding vibration resistance and a long service life.



- Selectable Steady or Flashing Modes
- Prism-cut lenses for even light distribution
- Surface, Pole or Wall Mounted (Order poles & bases separately)
- Wire leads or Terminal connection
- Add-on Buzzer (80dB) kit available
- IP54 rated

Optional Orders

► Buzzer kit

M P Z 5 6 A
① ②

1. Buzzer Diameter

56	56mm (for MT5C Series)
85	86mm (for MT8C Series)

2. Power Supply

A	24VAC/DC
B	110~120VAC
C	220~240VAC

Ordering Information

MT5C 3 A L G B - RYG

① ② ③ ④ ⑤ ⑥ ⑦

1. Lens Diameter & Light Style

5C	56mm diameter - Steady + Flashing + Buzzer
8C	86mm diameter - Steady + Flashing + Buzzer

2. Number of Stacks

1	1 Light
2	2 Lights
3	3 Lights
4	4 Lights
5	5 Lights

3. Power Supply

A	24VAC/DC
B	110~120VAC
C	220~240VAC

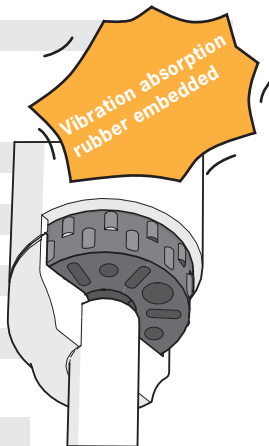
4. Connection

L	Lead Wires
----------	------------

5. Mounting

G	No Pole + Mount Base
P	Pole + Mount Base
M	Pole + Screw Type

The unique vibration absorbing structure using new material reduces vibration and impact from all machines and devices, greatly extending bulb life



6. Buzzer Options

	Non Buzzer
B	Buzzer (Maximum number of tier including Buzzer is 5.)

7. Lens Colors (top to bottom)

R	Red	B	Blue
Y	Yellow	C	Clear
G	Green		

Specifications

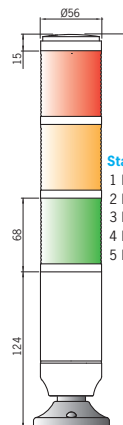
Power Supply	24V	110VAC	220VAC	
Current Draw	1 Light	0.4A	0.09A	0.04A
	2 Lights	0.8A	0.18A	0.08A
	3 Lights	1.3A	0.27A	0.12A
	4 Lights	1.7A	0.36A	0.16A
	5 Lights	2.0A	0.45A	0.2A
Buzzer		0.03A		

Functions	Steady + Flashing + Buzzer
Tiers	May be ordered as 1, 2, 3, 4 or 5 tiers
Lens Colors	Red / Yellow / Green / Blue / Clear
Protection	IP54 / IP50 (with Buzzer)
Sound Level	80±5dB at 1m
Flashing rate	80 times/minute (±10%)
Approvals	UL , CE , RoHS

Dimensions < unit: mm >

► MT5C Series

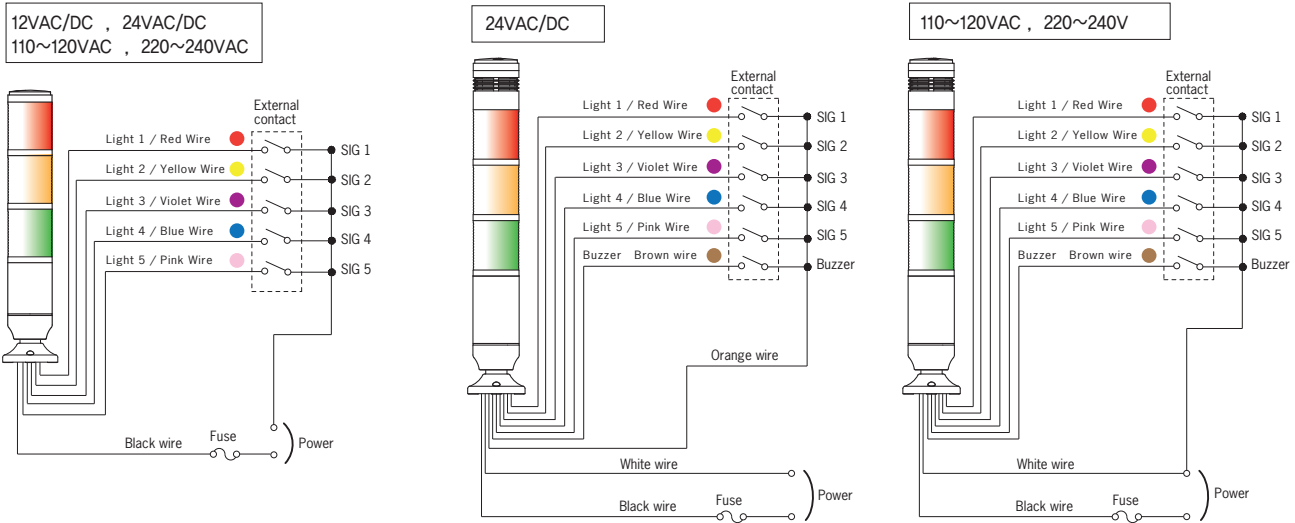
Mount G type



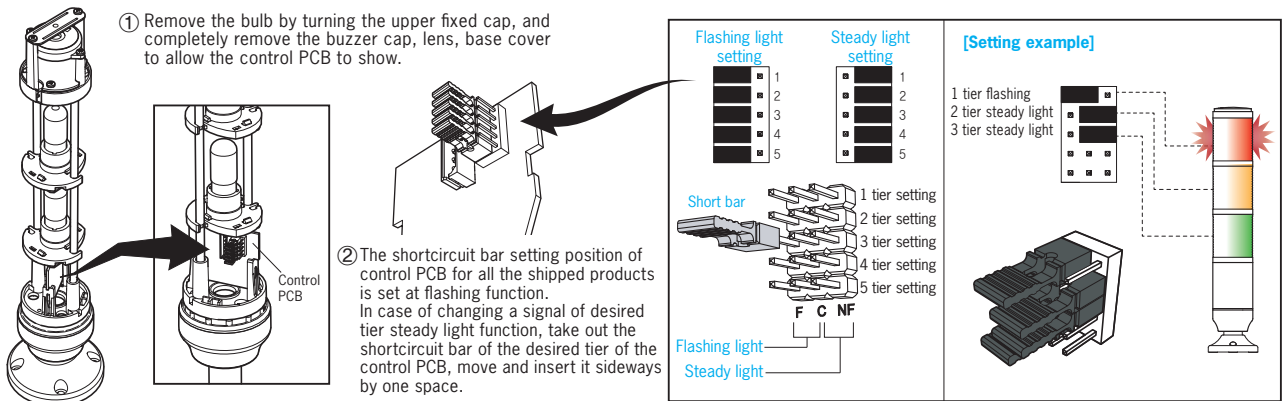
MT5C/8C & 4B/5B/8B Series Wiring Diagram

MT5C/8C Series

► Steady or Flashing Lights (with Buzzer)

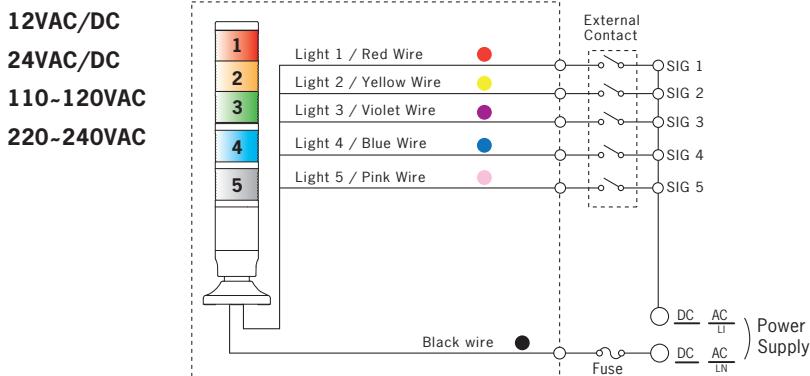


► MT5C/8C Series Steady/Flashing lights Changing Method



MT4B/5B/8B Series

► Steady Lights



MT4B-Bulb Replacement Method

Push to open the bulb housing fixed inside the mount groove using hands or tools. This allows easily replacing the bulb.

