

# Large size Square Type Tower Light (horn speaker type)



## MSGS Series MANUAL



Thank you for purchasing a Signal Phone.  
To ensure proper operation, please read this instruction manual thoroughly before attempting to use the system. Also, when undertaking maintenance, inspection or repair work, be sure to refer to this manual. If you have any questions regarding this product, please feel free to contact us.

TO OPERATE THIS PRODUCT SAFELY, PLEASE OBSERVE THE FOLLOWING

### NOTES TO BE OBSERVED FOR SAFE OPERATION

Note to be followed to prevent any damage to the user and other personnel or to assets are as follows.

The indications for warning are divided into the following classes according to the degree of danger or damage incurred when the warning is not taken into consideration and the product is not correctly used.

**Warning** This symbol marks important instructions that, if ignored or incorrectly followed, could conceivably lead to death or serious injury.

**Caution** This symbol marks important instructions that, if ignored or incorrectly followed, could conceivably lead to injury or property damage.

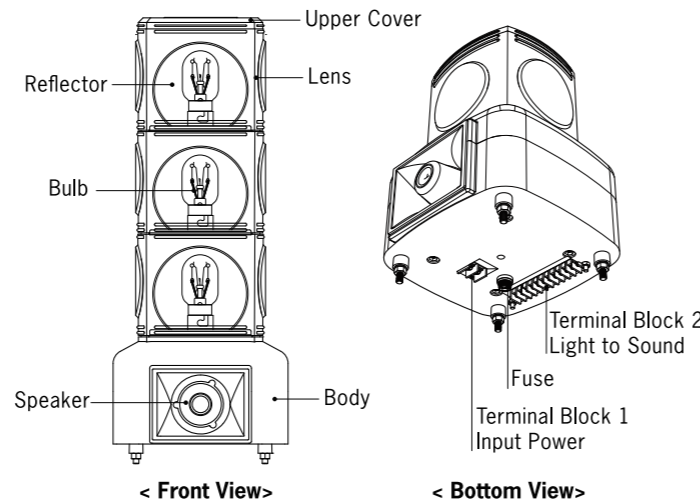
### Warning

- Follow wiring diagram completely. If wiring is mistaken, an internal circuit will be damaged and it will become the cause of a fire.
- Do not use this product without lens or head cover with cracked lens. It may cause electric shock.
- Make sure power is turned off to avoid electric shock, when you repair this product.
- Make sure power is turned off and the lamp is cool before you repair anything to avoid electric shock or burning yourself.
- Make sure power is turned off when checking or changing a fuse to prevent danger of electric shock.
- Turn off the power supply before making wiring connections. Neglecting may cause an electric shock.
- All loose ends of wires left unconnected upon the completion of wiring must be insulated individually, or they may cause equipment problems, short circuits or electric shock.
- When mounting the unit outdoors or in a place where water may splash on it, avoid inverted or sideways mount. If water seeps into the unit through the drain hole on the bottom of the case, and collects inside, it may cause an electric shock or short circuit.
- Be sure to waterproof the uncoated part of power supply line and signal line in case this product is used in the rain or water exposing environment. Water immersion of the product may result in malfunction or electric shock.
- Residual high voltage may cause electric shock! Please wait 1 minute or more before you change lamp.

### Caution

- Use only specified operating voltage range. Excess voltage hastens degradation.
- Make sure to set fuse in a power supply side, please connect a fuse.
- To clean lens, head cover, and body, wipe with water or glass cleaner soaked soft cloth. Do not use thinner or benzine, gasoline, oil as these cause color change or deform the surface.
- Absolutely do not connect direct power in a signal wire and common wire, damage the internal circuit.
- Make sure not to use any other bulbs except ones described in specifications.

### 1. Part Name



### 2. Ordering Information

**MSGS - 3 2 0 - R Y G**

①      ②      ③

1. Number of Stack	2. Power Supply	3. Lens Color (Top to bottom)
1    1 stack	01   12VDC	R    Red
2    2 stacks	02   24VDC	Y    Yellow
3    3 stacks	10   110VAC	G    Green
4    4 stacks	20   220VAC	B    Blue
5    5 stacks		C    Clear

### 3. Replacement Parts

The replacement parts are prepared.  
Please ask your local distributor for availability.

#### - Bulbs

Energy Used: 25 watts	Model no.
Base Type: Double Contact (BA15D)	Volts: 12V    MAB-T15-D-012-25
Color / Finish: Clear	Volts: 24V    MAB-T15-D-024-25
Length: 54mm	Volts: 110V   MAB-T15-D-012-25
Width: 22mm	Volts: 220V   MAB-T15-D-012-25

Input voltage	12VDC	24VDC	110VAC	220VAC
Fuse capacity	2.5A	2.5A	1.5A	1.5A

\* Replace only with same rated of fuse.  
\* Specifications are subject to change without notice.

### Caution to using

\* May cause malfunction if above instructions are not followed.

#### 1. Lamp two or more simultaneous lighting Prohibition.

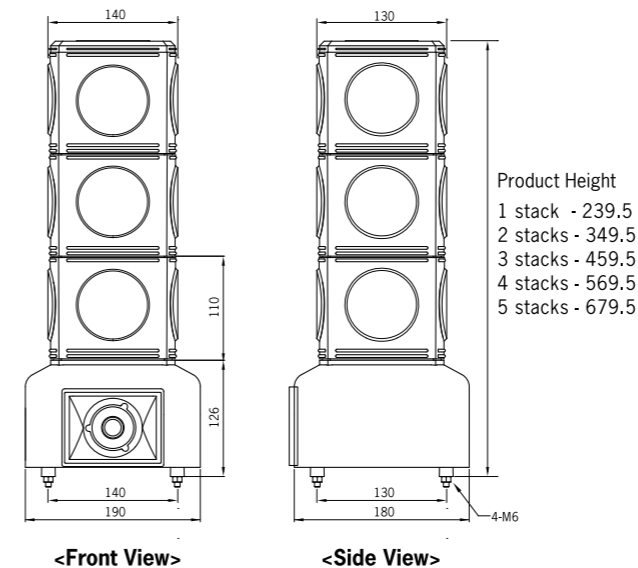
### 4. Specifications

Size	190 x 180 mm (Body Size)
Function	Rotating with 5-Sound (2-Melody, 3-Siren)
Power Supply	12VDC , 24VDC , 110VAC , 220VAC (AC 50/60Hz)
Stacks	Fixed frame, 1, 2, 3, 4 or 5 stacks versions available
Lens Color	Red, Yellow, Green, Blue, Clear
Rotation rate	150±10rpm
Sound level	Speaker 15W 6 ohm / App. 100±5dB at 1meter
Vibration	0.75mm at 10~55Hz
Ambient Temperature	-15 ~ 40°C
Storage ambient temperature	-25 ~ 70°C
Ambient Humidity	45 ~ 85% RH
Bulb specification	Incandescent - Gress:G21.5 , Base: BA 15D
Protection structure	IP23
Approval	RoHS

### Current Consumption (RMS value ±10%)

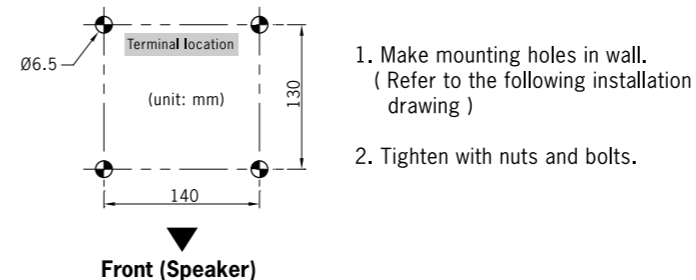
Power Supply	12VDC	24VDC	110VAC	220VAC
Current (1 light+Sound)	2.4A	1.3A	0.4A	0.2A

### 5. Dimensions (unit: mm)



### 6. How to Mounting

- Caution**
- Do not install with wrong direction, as it may be water leaked.
  - Signal Tower must be installed in a vertical position where it has enough strength and less vibration. Do not install it horizontally or reversely.
  - When the installation of this product requires the construction, please ask to specialist. Electric shock, fire and fall may occur.
  - When installing the unit in a high place, choose the place where a foothold can be secured for case in repairs.

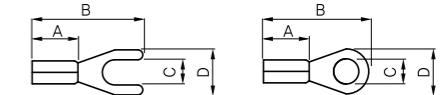


### 7. Wiring Connection

- Caution**
- Turn off the power supply before making wiring connections. Neglecting to do so may cause an electric shock.
  - Ensure the wiring is correct before connecting the power source. Miswiring may result in product damage.
  - Make sure to set fuse in a power supply side, please connect a fuse.
  - Due to the individual difference in frequency of melody IC, there may be a difference in tone or pitch of melody or alarm.
  - Sound pressure level in specifications is the maximum level. Operating sound pressure level may be lower than the specified level due to the type of melody or surge voltage.

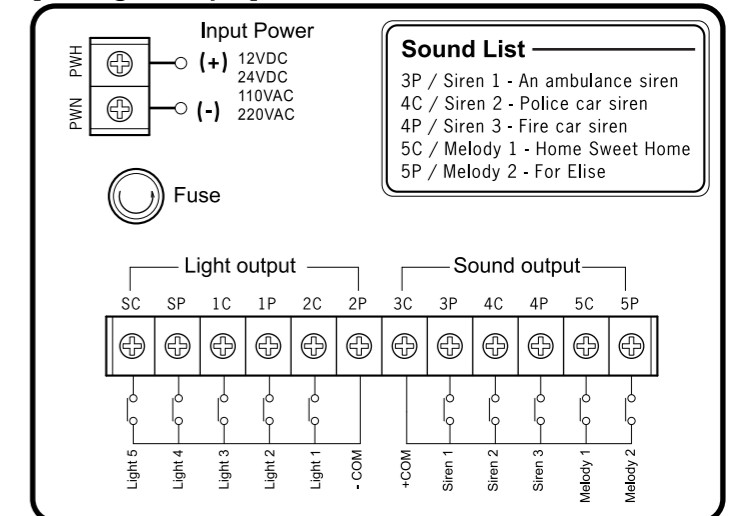
### [Applicable Cable or crimp terminal] Recommendations

- Power Terminal Cable Specifications AWG.18~16(0.82~1.31mm)
- Sound Terminals Cable Specifications - AWG.22~18(0.32~0.82mm)
- Applicable crimp terminal



	A	B	C	D	Applicable wires
Input power Terminals	max. 6	max. 18	max. 3.5	min.9.5	AWG 18-16
Light to Sound Terminals	max. 4	max. 16	max. 3	min. 6.5	AWG 22-18

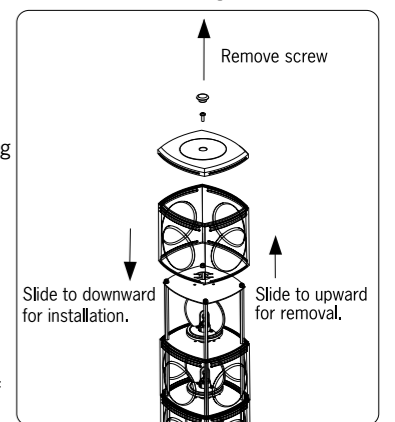
### [Wiring example]



### 8. Change Lens

Please follow the procedure mentioned below to change the lens

- ① Make sure power is turned off when changing lens.
- ② Loosen upper cover screw, then put the lens off.
- ③ Put the new lens, then installing upper cover.



### 9. Change Bulb

Please follow the procedure mentioned below to change the bulb.

- ① Make sure power is turned off when changing lens.
- ② Remove lens.
- ③ The bulb can be easily removed by pressing it downward to turn to left.
- ④ The new bulb can be easily installed by pressing it downward to turn to right.
- ⑤ Install lens.

