

# MS86M Series LED Multi Color D86mm LED 3 Colors in 1 Signal Strobe Light



With high-brightness LED as its light source, the flashing light has a high effect of radiating signal light to ensure an accurate signal transmission even under worse conditions such as permanent fog and dust.



Min10 ~Max 100dB at 1m (Adjustable volume)

- 3 colors in 1 LED modular components
- High Brightness LED light distribution through prism-cut lenses
- multi-voltage version (12 ~ 24VAC/DC)
- Shockproof and vibration resistant
- The streamlined warning light is suitable for patrol cycles, emergency, vehicles and ambulance cars.
- Extremely high light intensity

Extremely high light output using unique LED technology



## Ordering Information

MS86M - F 00 - RYG

①      ②      ③

### 1. Light Style

|   |                            |
|---|----------------------------|
| F | Steady + Flashing          |
| B | Steady + Flashing + Buzzer |

### 2. Power Supply

|    |               |
|----|---------------|
| 00 | 12 ~ 24VAC/DC |
| FF | 90 ~ 240VAC   |

### 3. LED Colors

|     |                    |
|-----|--------------------|
| RYG | Red, Yellow, Green |
| RGB | Red, Green, Blue   |



■ Steady light

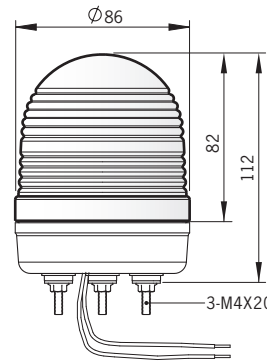


■ Flashing light-1



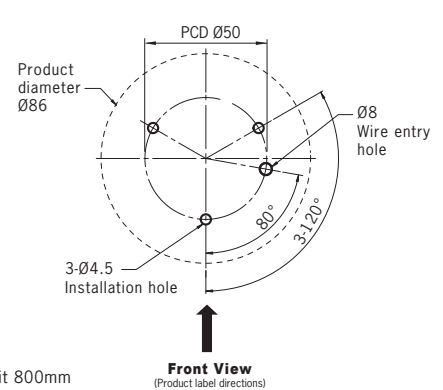
■ Flashing light-2

## Dimensions (unit: mm)



Power supply wire From wire exit 800mm

## Stud Mount hole layout



## General Specifications

|  |   |                   |
|--|---|-------------------|
| Operation/Function   | Steady , Flashing , Buzzer  |                   |
| Power Supply   | 12 ~ 24VAC/DC , 90 ~ 240VAC   |                   |
| Buzzer Sound Level   | 10 ~ 100±5dB ( at 1M ) , volume adjustable                                      |                   |
| Lens Diameter  | 86 mm   | Lens Color: Clear |
| Materials  | Body : ABS , Cap : PC   |                   |
| Flashing Rate<br>(Internal PCB board is dip switch controls) | F1: 80 times/minute ±10%<br>F3: 240 times/minute ±10% (Emergency Signal lights) |                   |
| Feature set  | Lead wire Connection  |                   |
| Insulation Resistance  | 100 MΩ minimum (500V DC megger)   |                   |
| Vibration  | 0.75mm at 10~55Hz   |                   |
| Ambient Temperature  | -20 to 40°C   |                   |
| Storage Temperature  | -20 to 70°C   |                   |
| Ambient Humidity   | 45 ~ 85% RH   |                   |
| Degree of Protection   | IP65  |                   |
| Approvals  | UL, RoHS  |                   |
| Recommended Wire Size  | 1007 UL / 22AWG   |                   |
| Weight   | Approx. 150g  |                   |

## Current Draw (Steady standards and current value)

| Volt.     | LED | Red/Yellow/Green | Red/Green/Blue | Buzzer |
|-----------|-----|------------------|----------------|--------|
| 12 ~ 24V  |     | 400 ~ 600mA      |                | 150mA  |
| 90 ~ 240V |     | 30 ~ 80mA        |                |        |

See Page 56 - 58 for Mounting Options and Accessories.

## Wiring diagram

Note: See page 46 for MS115M wiring diagram

## Optional Parts

### 1. Mounting Pole



### 2. Wall Mount Bracket

