

MS66 Series D66mm Compact, Low-power LED Signal Light



Compact, Dome-head, Long life Signal Light with Red, Yellow, Green, Blue and White lens.



Product Features

- Steady + Flashing , Rotating
- Rotating speed is adjustable
- Built-in high-powered Buzzer
- Various operating voltages
- 3 mounting options
- Lead wire connection

Specifications

Functions	Steady + Flashing + Buzzer , Rotating + Buzzer
Power Supply	12 ~ 24VAC/DC , 110 ~ 220VAC (AC. 50/60Hz)
Size	68mm diameter
Light Source	LED
Lens Colors	Red , Yellow , Green , Blue , Clear
Rotating Speed	Volume Control : 60~300rpm (Clockwise Rotation)
Rotating type Buzzer control	When the power is on, LED Rotation and Buzzer will be operated immediately
Buzzer Sound Level	80±5dB (Alternating Buzzer : pi- pi- pi)
Mounting	MS66M / MS66P type - Upward only MS66G type - Forward , Reverse , Moving direction (Buzzer type : Only indoor)
Wiring method	Lead wire connection
Ambient Temperature	-20 to 40°C
Storage Temperature	-20 to 70°C
Ambient Humidity	45~85% RH
Insulation Resistance	100MΩ min. at 500VDC
Vibration Resistance	0.75mm at 10~55Hz
Wire Size	UL1007 / 22AWG
Approvals	CE , RoHS
Degree of Protection	IP65 (IP52-Buzzer type)
Weight (AC + Buzzer type)	MS66M - App.168g , MS66G - App.180g , MS66P - App.233g

Note : Life of the LED varies according to operating conditions and environment.

Ordering Information

MS66 G - B 00 - R (V) ^{※ Options}

① ② ③ ④ ⑤

1. Mounting Options

M	Body direct mounting - Plastic M20 Screw
P	Aluminum Pole + Fixed plastic mount base
G	Fixed plastic mount base

2. Functions

F	Steady + Flashing
B	Steady + Flashing + Buzzer
R	Rotating
T	Rotating + Buzzer

3. Operating Voltages

00	12 ~ 24VAC/DC
FF	110 ~ 220VAC

4. Lens Colors

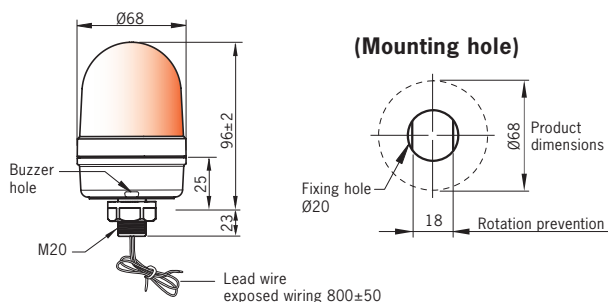
R	Red	B	Blue
Y	Yellow	C	Clear
G	Green		

5. Option

(V)	Consecutive Flashing 240±5times/minute
------------	---

Dimensions (unit: mm)

▼ MS66M type



Dimensions(MS66G/MS66P) , Wiring Diagram

Note : See page 34

Current consumption (RMS value at AC type ±10%)

R/Y/G/B/C	12 ~ 24VAC		110 ~ 220VAC	
	General	Buzzer	General	Buzzer
Steady / Flashing type	0.30A	0.32A	0.03A	0.04A
Rotating type	0.20A	0.22A	0.03A	

Note (Current consumption) : Steady / Flashing type , 12VDC : 0.08A (average)
24VDC : 0.06A (average)

Note (Current consumption) : Rotating type , 12VDC : 0.06A (average)
24VDC : 0.04A (average)

Flashing Rate

	General type	Continuous Flashing type
12 ~ 24VAC/DC 110 ~ 220VAC	80±5times/minute	240±5times/minute

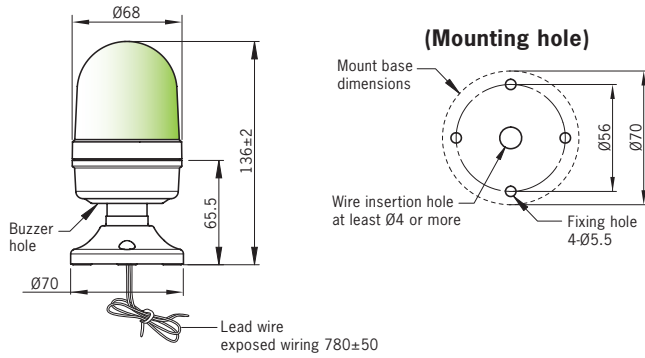
See the next page →



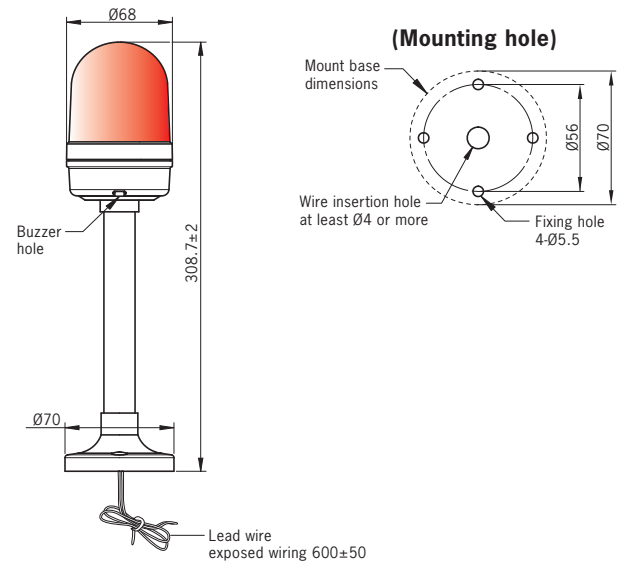
MS66 Series D66mm Compact, Low-power LED Signal Light

Dimensions (unit: mm)

▼ MS66G type



▼ MS66P type



Optional Parts

1. Wall mounting Bracket



MS66M only apply
MAM-DS11
Steel

2. Aluminum mount base



MS66P only apply
MAM-DS32
Aluminum

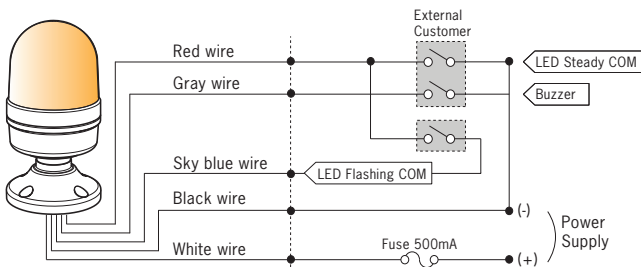
See Page 56 ~ 58
for Mounting Options and Accessories.

※ Note : MAM-DS32 type
In case of P type, there is no change in total length
if the Aluminum mount base replaces the Plastic mount base

Wiring Diagram

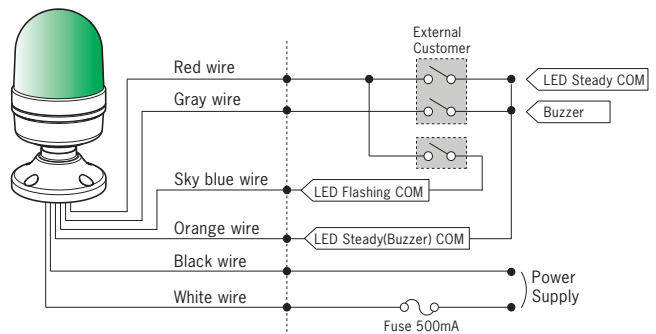
▶ Steady + Flashing Light (with Buzzer)

12 - 24VAC/DC



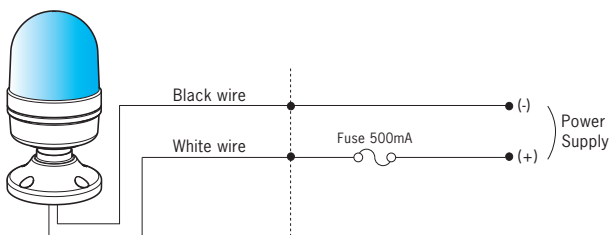
⚠ Pay attention to the polarity if it is DC-type

110 - 220VAC



▶ Rotating Light (with Buzzer)

12 - 24VAC/DC , 110 - 220VAC



※ Note : Buzzer type
When the power is on, LED Rotating or Buzzer will be operated immediately
(on/off switch built-in)

⚠ Pay attention to the polarity if it is DC-type

